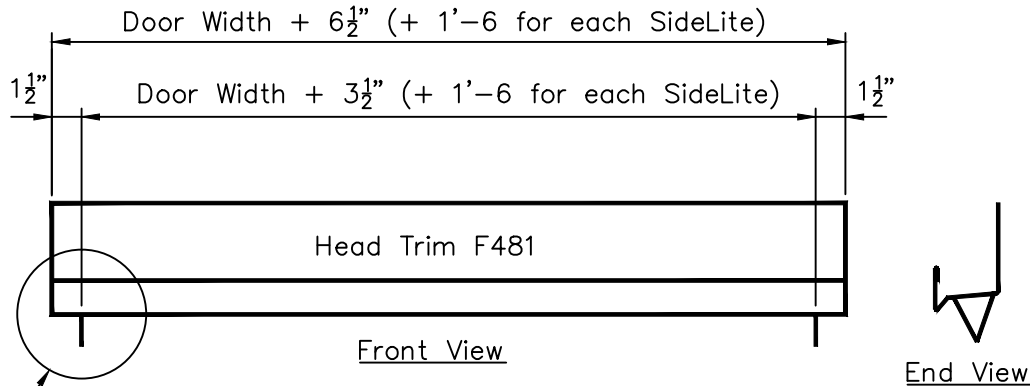


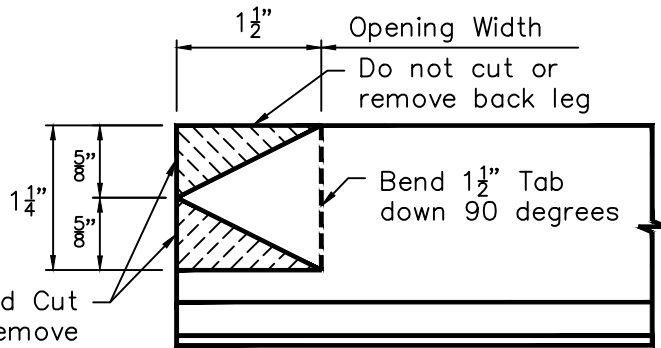
AVP / PBA Wall Panel - Walk Door & Glass-Front Walk Door

Field Notch and Bend Tabs at Head Trim

Note: Trim Installation can be done by Field Notch Panel as shown on PA09022 & PA09023 OR with Field Notch and Bend Tabs at Head Trim as shown on PA09024 & PA09025.

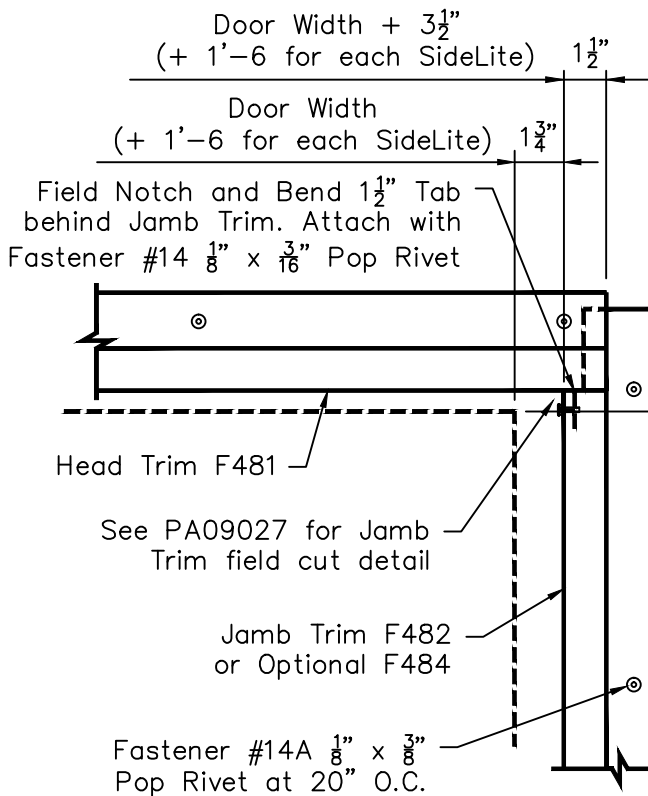


See End Cut Detail



End Cut Detail

(Viewed from top of Head Trim)



Note: All trim is to be installed BEFORE blanket insulation is applied to walls

Note: Panel position is shown with Panel Rib starting 6" from Steel Line and Door on 1'-0" module. Location of Panel Rib may vary depending on the Door Width and location. Field measure before cutting Panel and Trim.

