

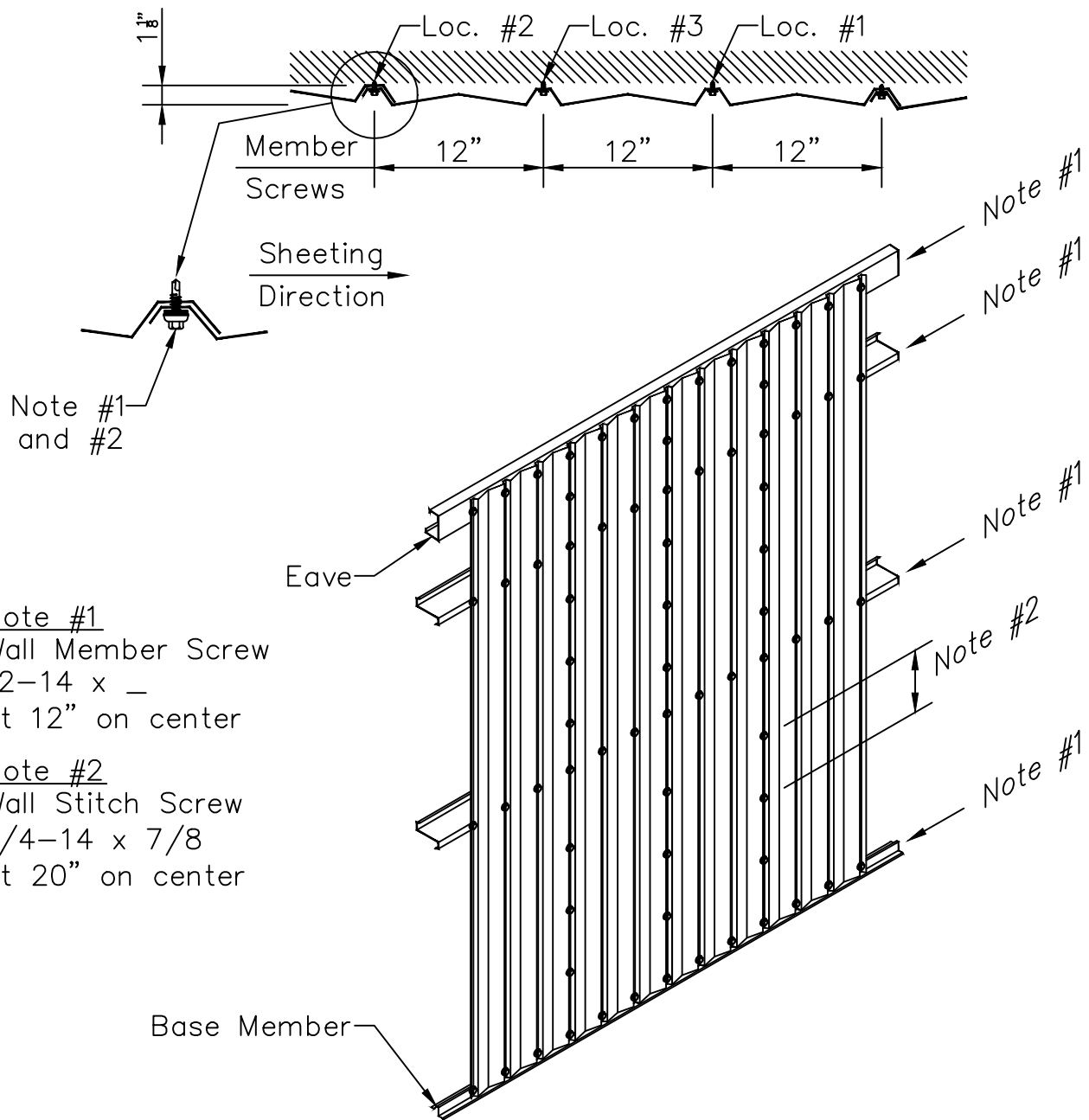
# AVP / PBA Wall Panel Installation

## Fastener Spacing

Page  
PA05004

Date  
Mar '13

Rev.  
03



Note #1  
Wall Member Screw  
12-14 x \_  
at 12" on center

Note #2  
Wall Stitch Screw  
1/4-14 x 7/8  
at 20" on center

- Step 1: Attach base flashing to base member using fastener fastener spaced at 5'-0± on center. See base detail.
- Step 2: Mark panel sidelap locations on base flashing starting 6" from steel line and then 3'-0 on center for entire length of building. Use a whiteboard marker so marks may be removed later.
- Step 3: Align centerline of leading panel rib with mark on base flashing and install fastener into base member at fastener location #1.
- Step 4: Plumb wall panel and install fasteners at location #1 into eave strut or rake angle and then at all intermediate wall members.
- Step 5: Nest panel sidelap into previous panel and install all fasteners at location #2.
- Step 6: Finish by installing all fasteners at location #3.