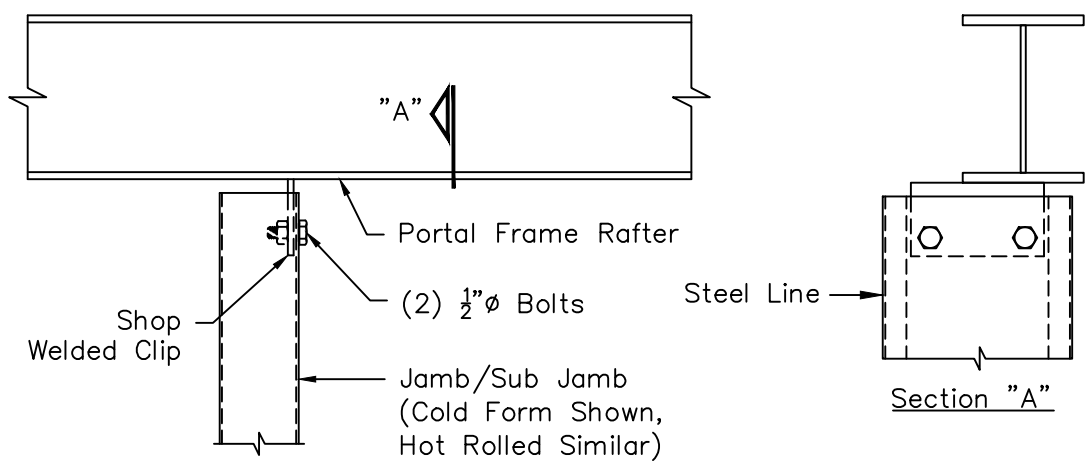


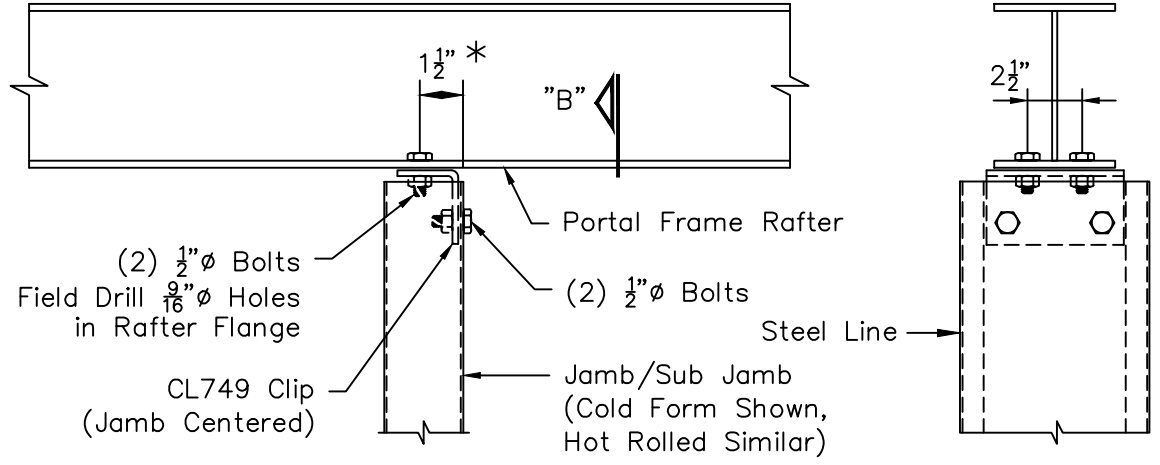
Welded Clips - Framed Opening Connections

Cold Form and Hot Rolled Cee - Jamb/Sub Jamb to Portal Frame

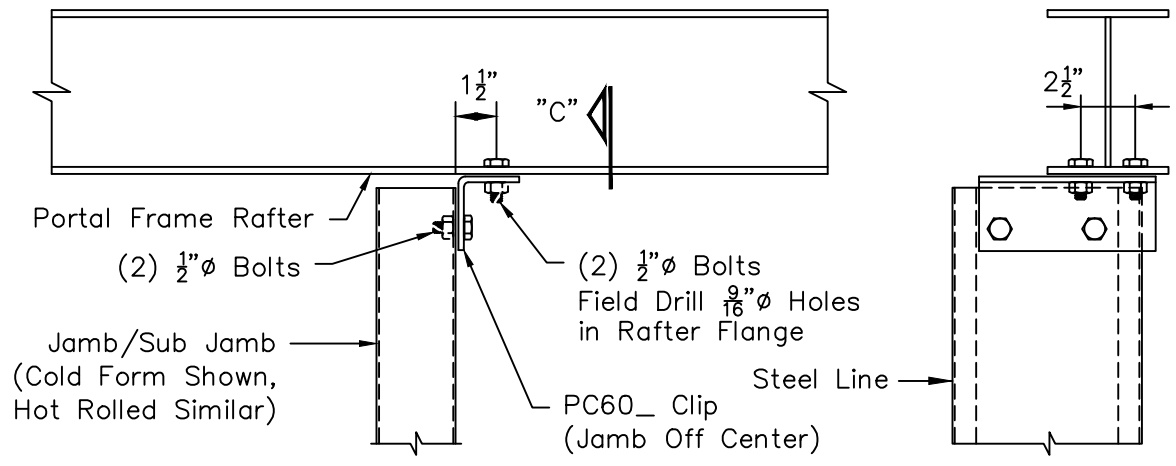


Jamb/Sub Jamb to Portal Frame Rafter Flange
(Factory Located)

* Hole Location from face of Cee
Cold Form JLC_ & JRC use $1\frac{1}{2}$ "
Hot Rolled JL & JR use $1\frac{1}{2}$ " + Web Thk



Jamb/Sub Jamb Centered on Portal Frame Rafter Flange
(Field Located)



Jamb/Sub Jamb Off Center of Portal Frame Rafter Flange
(Field Located)