

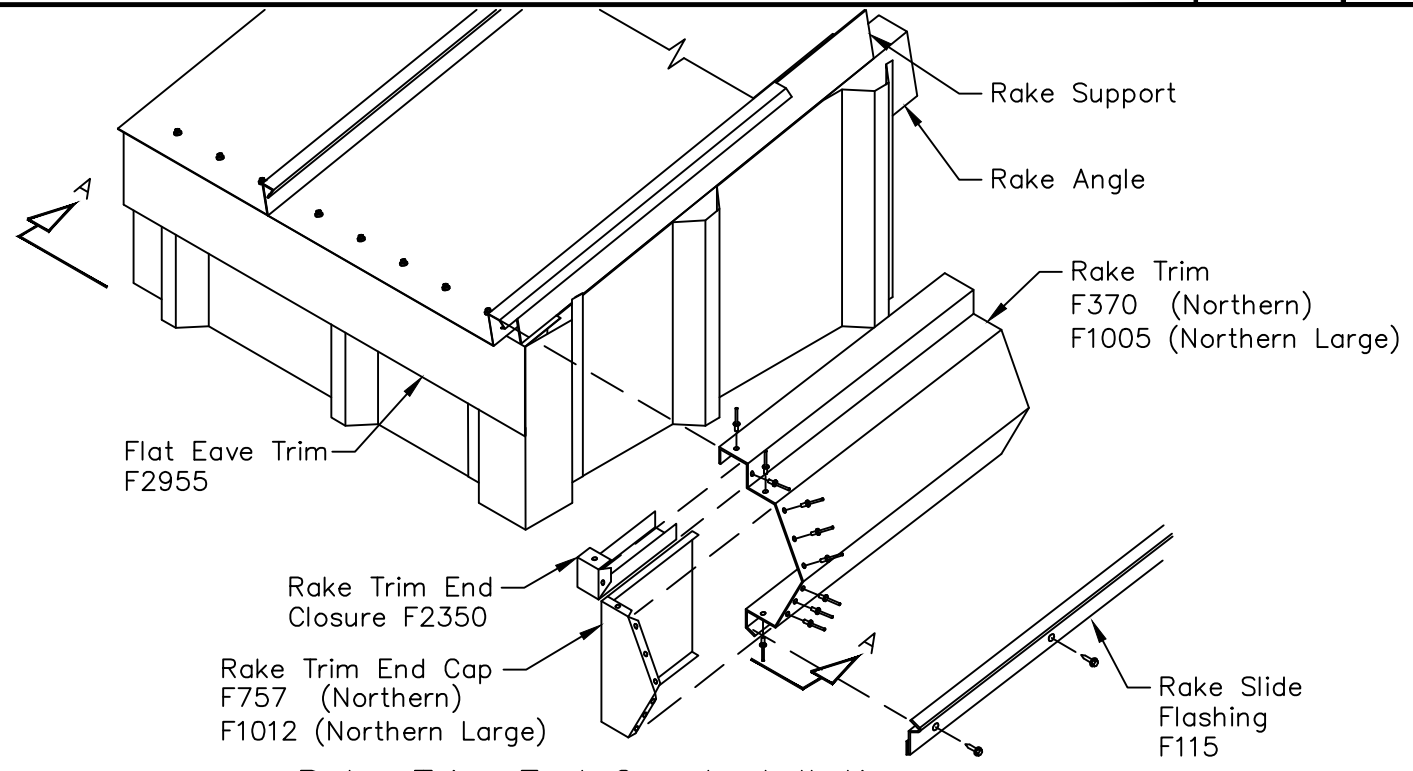
# BattenLok HS / SuperLok - Northern and Northern Large

## Low Eave Rake Corner with Flat Eave Trim - 1 $\frac{1}{4}$ " Wall Panel

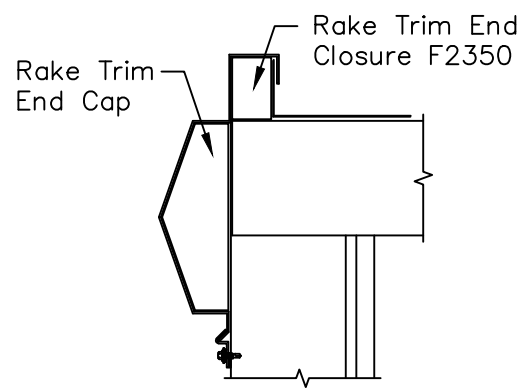
Page  
**WBL05006**

Date  
**Dec '12**

Rev.  
**02**

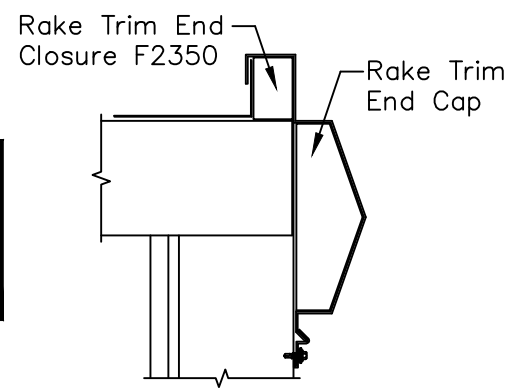


### Rake Trim End Cap Installation

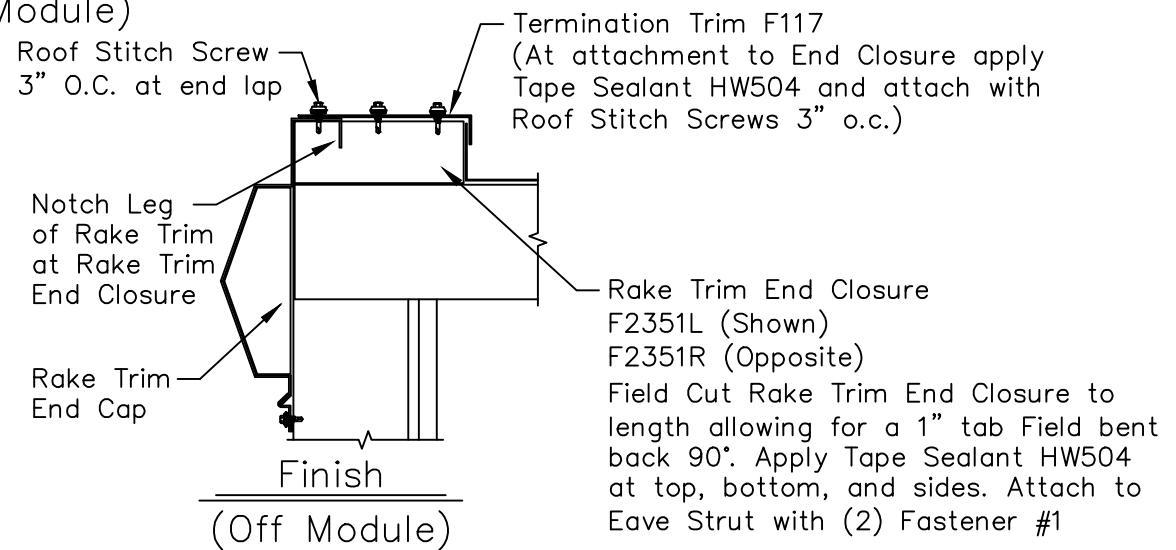


Finish  
(On Module)

Note: Install Rake Trim End Caps and F2350 Closure with Tube Sealant and (10) Fastener #14  $\frac{1}{8}$ "  $\phi$  x  $\frac{3}{16}$ " Pop Rivets



Section A-A



Finish  
(Off Module)