

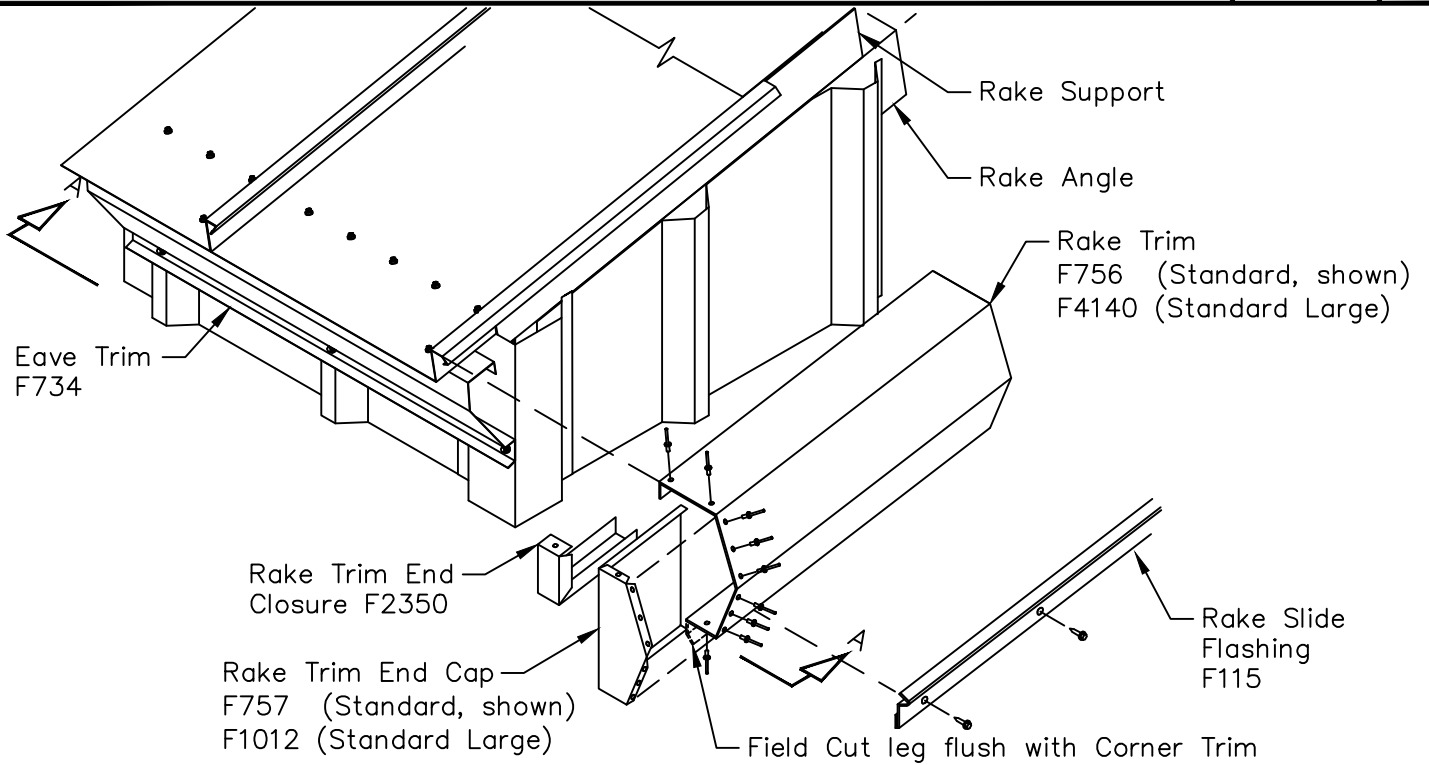
BattenLok HS / SuperLok - Standard and Standard Large

Low Eave Rake Corner with Sculptured Eave Trim - 1 1/4" Wall Panel

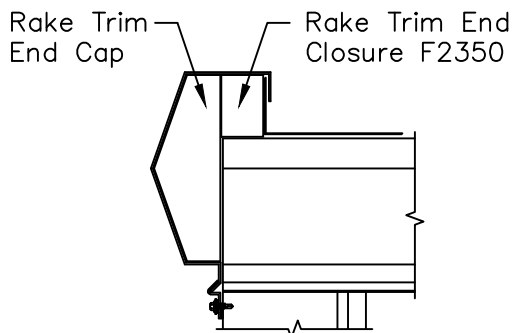
Page
WBL05018

Date
Dec '12

Rev.
03

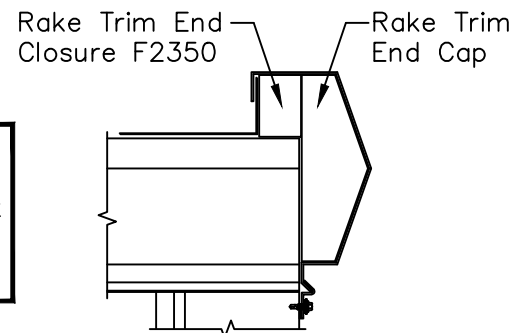


Rake Trim End Cap Installation

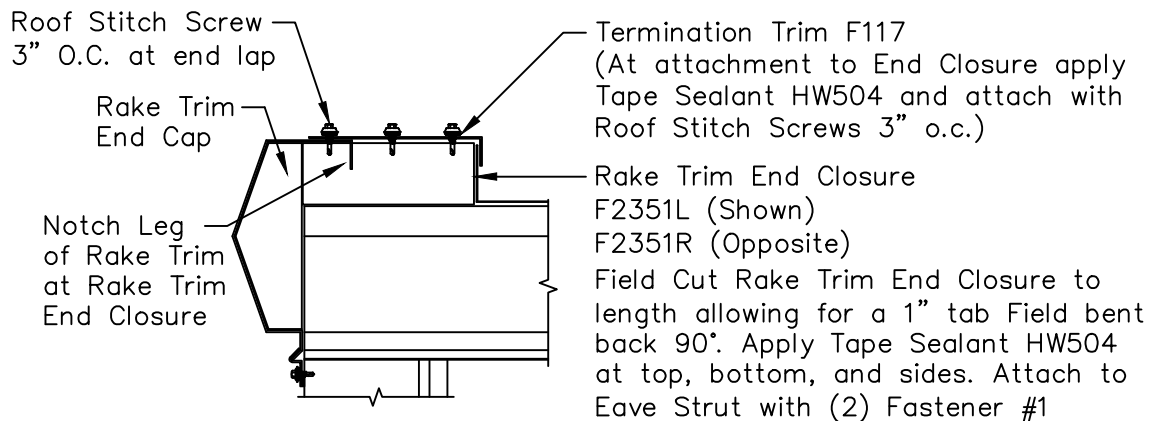


Finish
(On Module)

Note: Install Rake Trim End Caps and F2350 Closures with Tube Sealant and (9) Fastener #14 1/8" ϕ x 3/16" Pop Rivets



Section A-A



Finish
(Off Module)