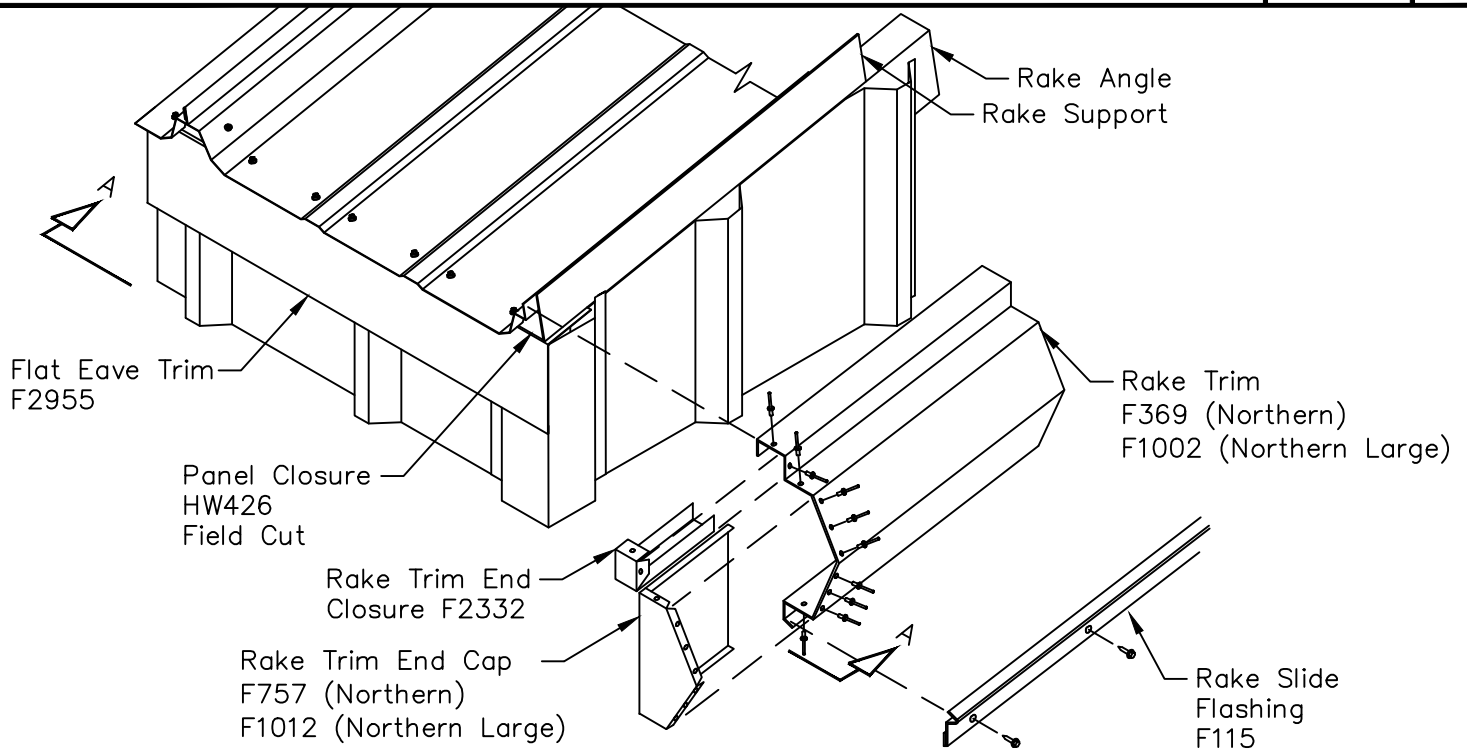
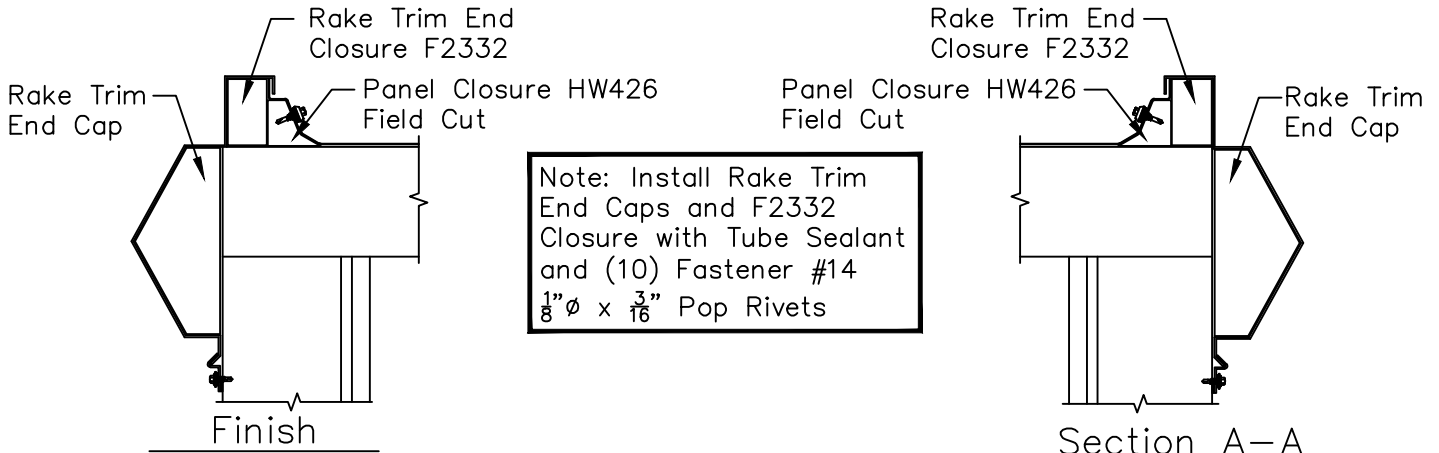


Trim Low Eave Rake Corner with Flat Eave Trim - 1 1/4" Wall Panel



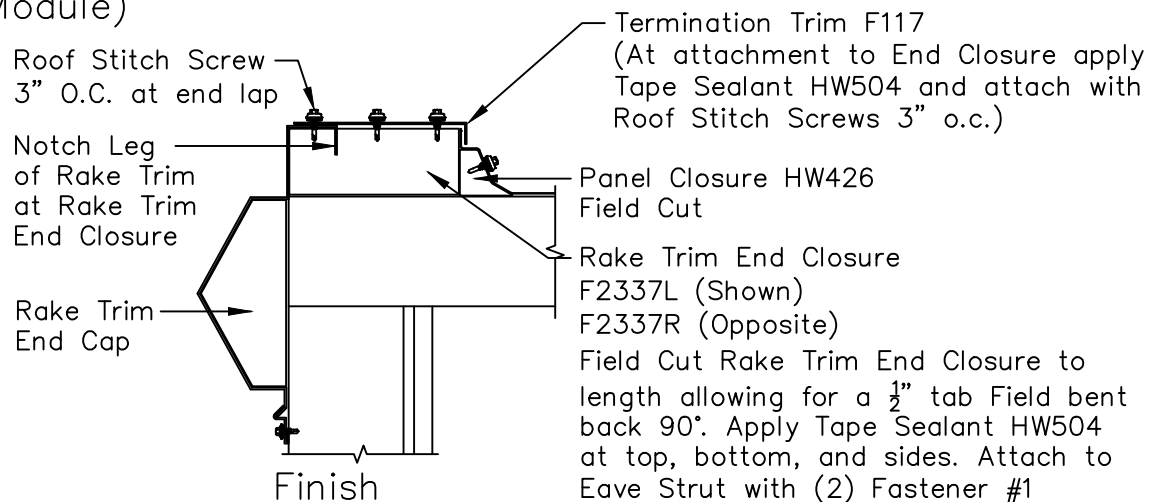
Rake Trim End Cap Installation



Note: Install Rake Trim End Caps and F2332 Closure with Tube Sealant and (10) Fastener #14 1/8" Ø x 3/16" Pop Rivets

Finish  
(On Module)

Section A-A



Finish  
(Off Module)

Field Cut Rake Trim End Closure to length allowing for a 1/2" tab Field bent back 90°. Apply Tape Sealant HW504 at top, bottom, and sides. Attach to Eave Strut with (2) Fastener #1