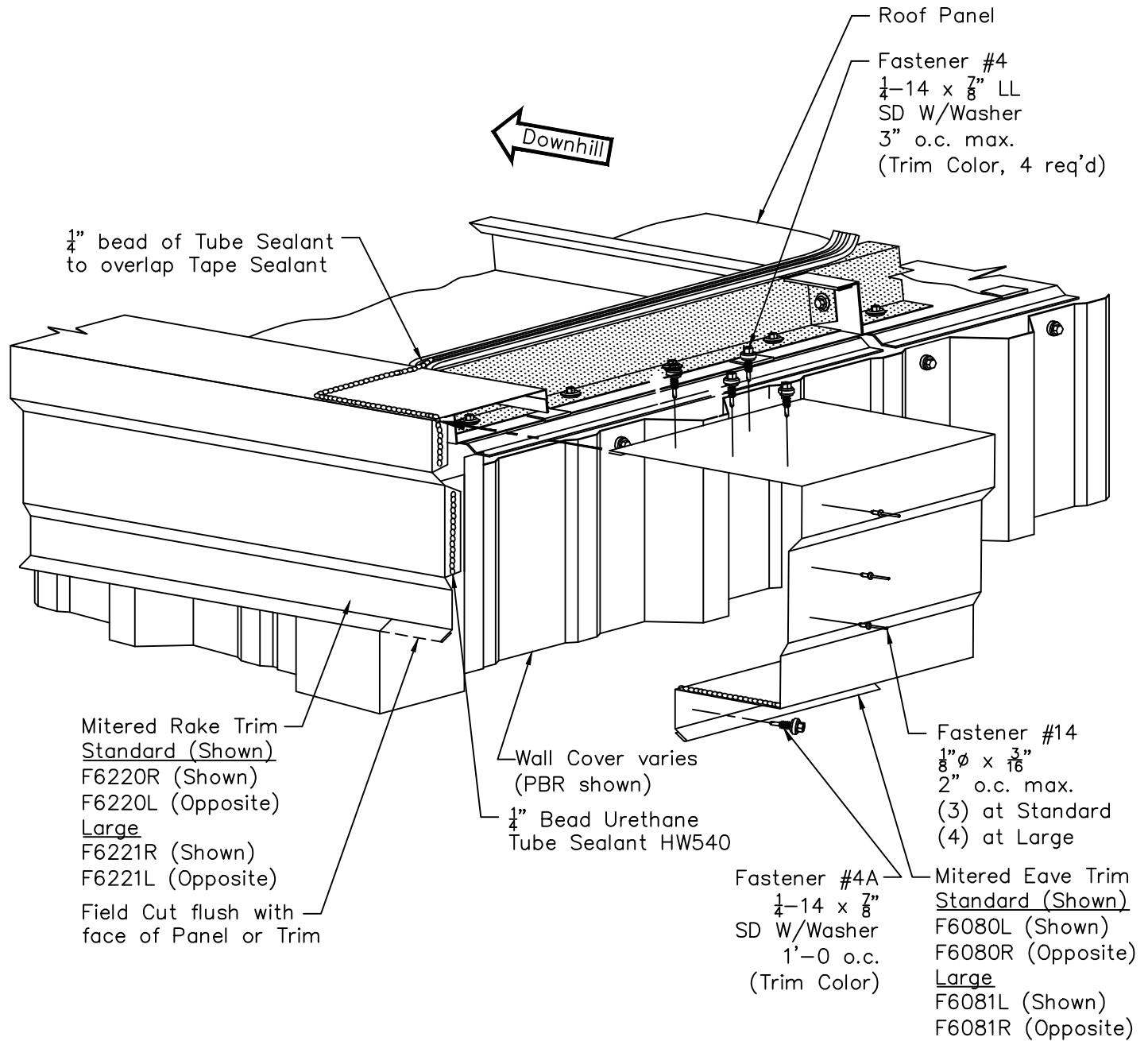


BattenLok HS / SuperLok - Edgecraft Southern Standard and Southern  
 Large High Eave Rake Corner - 1 $\frac{1}{4}$ " Wall Panel

Page  
 TBL05010

Date  
 Jul '20

Rev  
 00



See Construction Details for required attachment of Eave and Rake Trim to Roof and Wall. Wall Panel Closures not shown for clarity.