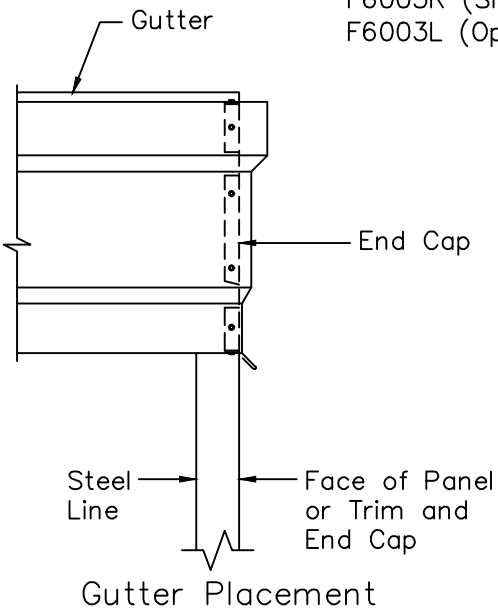
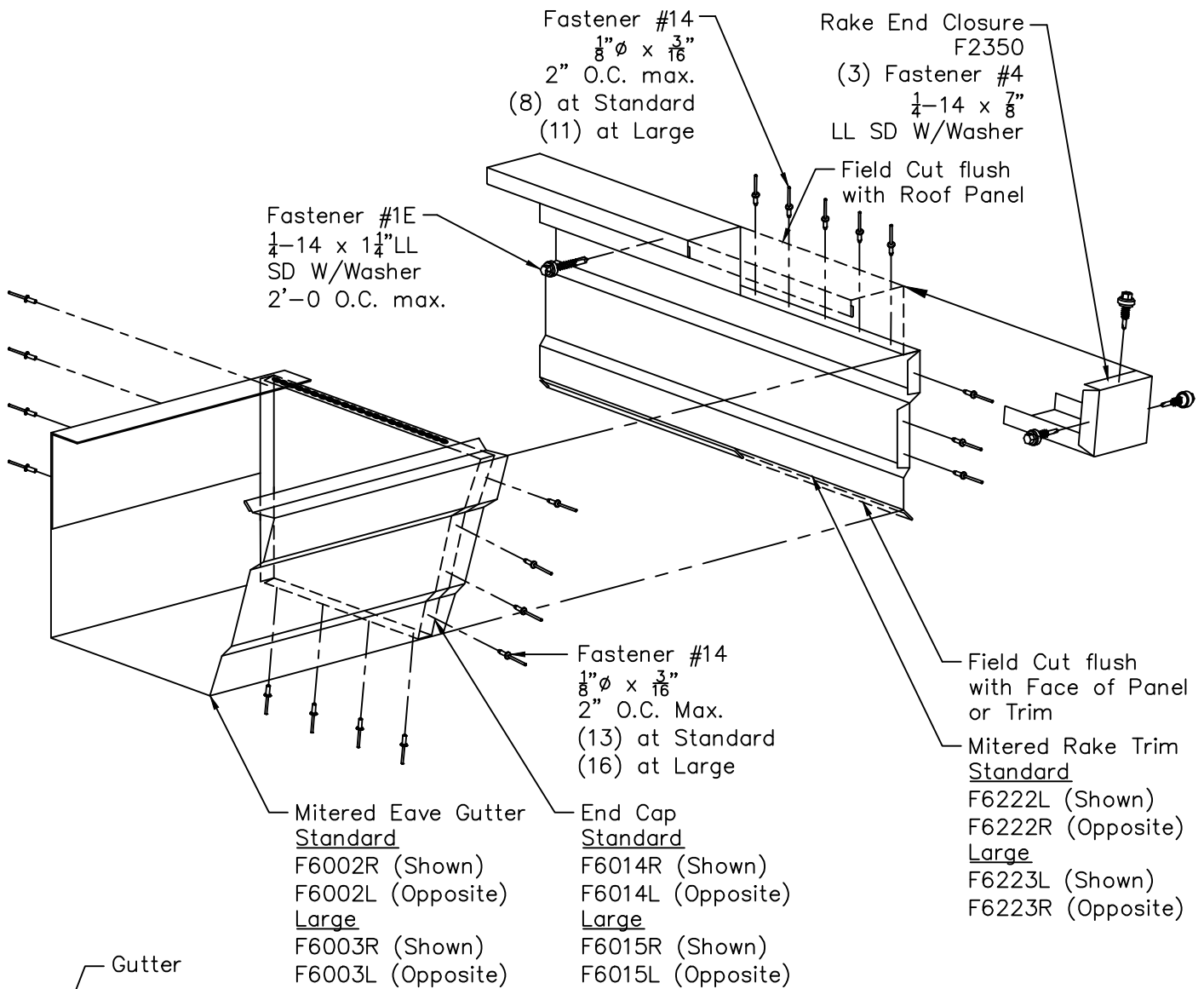


BattenLok HS / SuperLok - Northern Standard And Northern Large
 Edgecraft Low Eave Rake Corner With Eave Gutter - 1 $\frac{1}{4}$ " Wall Panel

Page
 TBL05007

Date
 Jul '20

Rev
 00



- 1.) Apply Tube Sealant to End Cap bottom and side tabs. Install Cap at end of Gutter as required. Inspect after installing and seal any gaps with Tube Sealant.
- 2.) Attach Eave Gutter to Roof Panel locating end past face of Panel or Trim as required. (See Gutter Placement)
- 3.) Align edges of Eave Gutter and Rake Trim and attach Rake Trim as shown. Apply Tube Sealant along edges to seal.
- 4.) See Eave and Rake Construction Details included with Erection Drawings for attachment of Eave Gutter and Rake Trim to Roof and Walls.