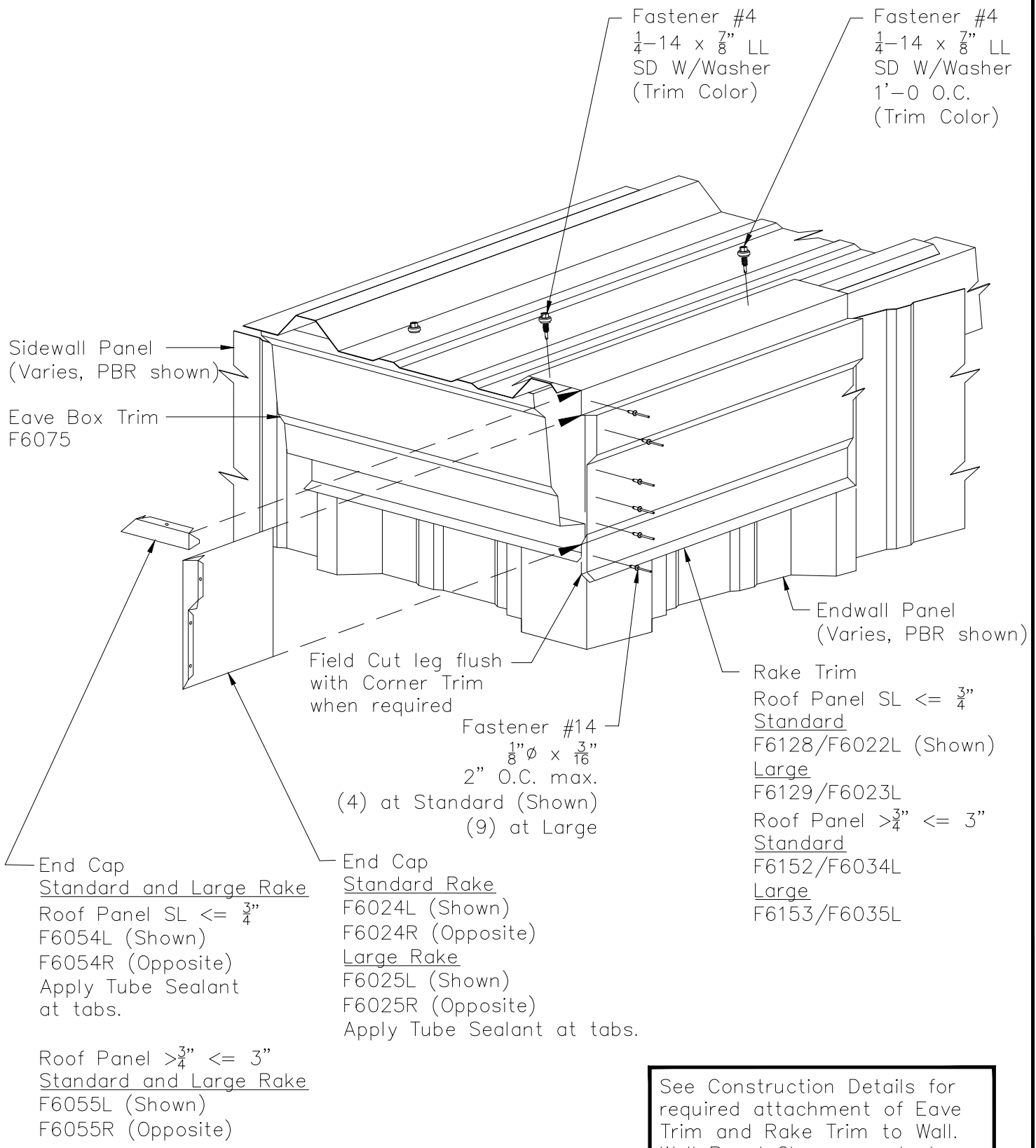


PBR Roof Panel - Northern Standard and Northern Large Edgecraft
 Low Eave Rake Corner with Flat Eave Trim - $\frac{3}{4}$ " thru $1\frac{3}{4}$ " Wall Panel



See Construction Details for
 required attachment of Eave
 Trim and Rake Trim to Wall.
 Wall Panel Closures not shown
 for clarity.