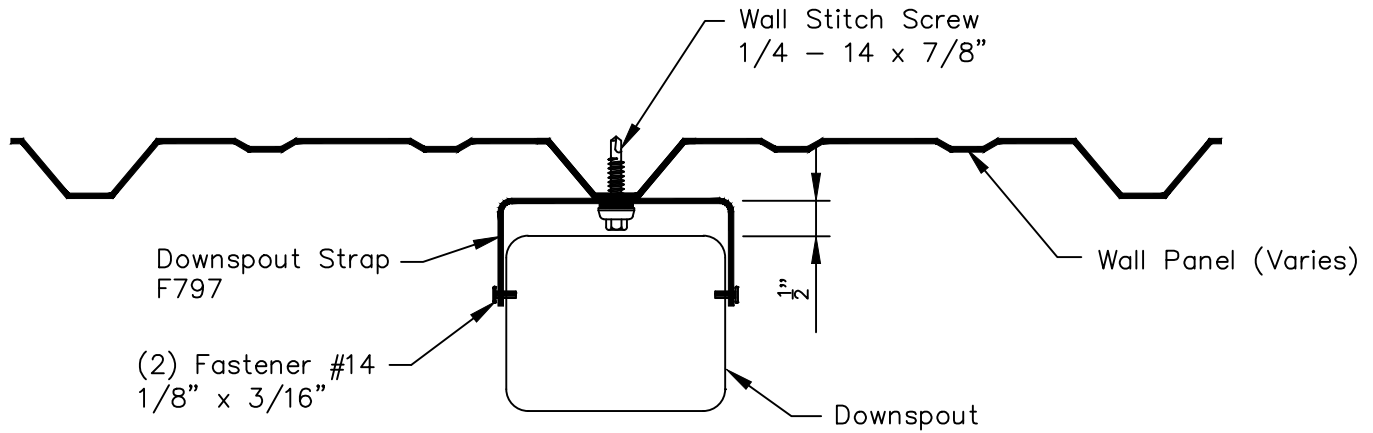
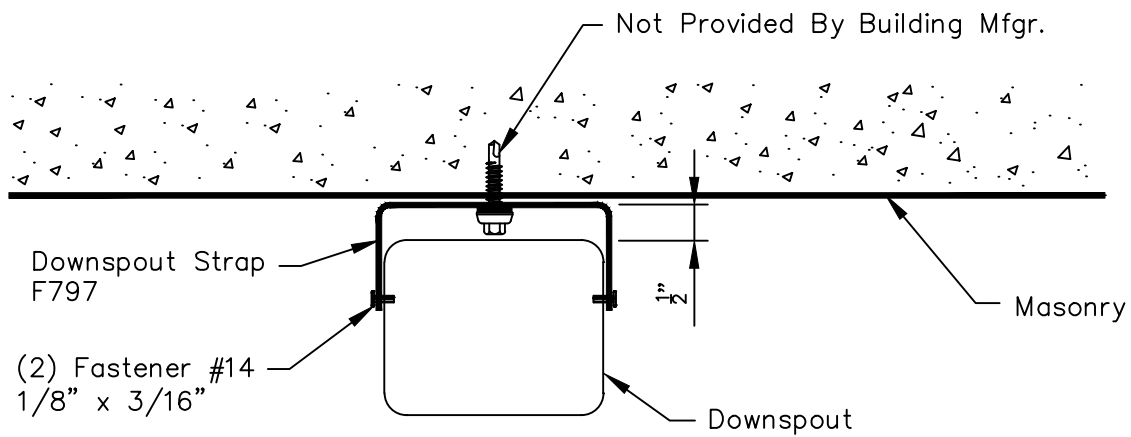


Downspout Strap Attachment To Wall

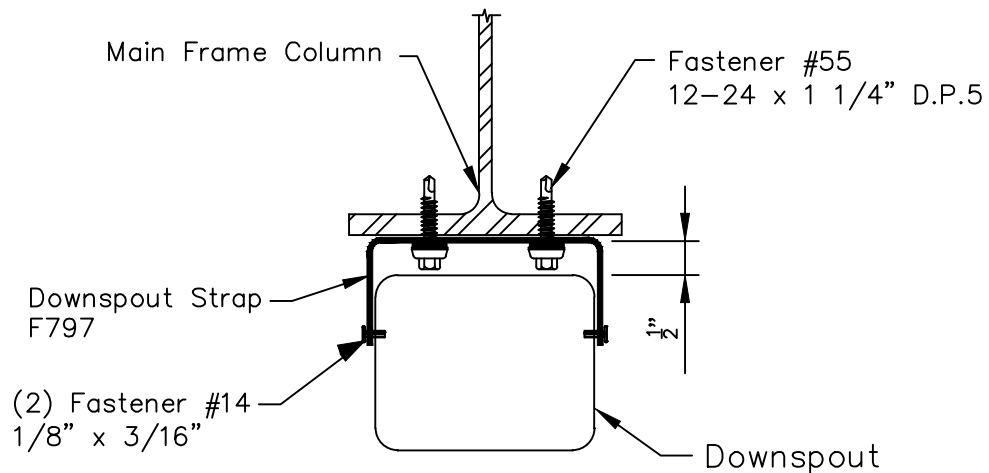
Date **DP00011**
Date **Dec '12** Rev. **00**



Wall Panel Attachment



Masonry Wall Attachment



Column Attachment