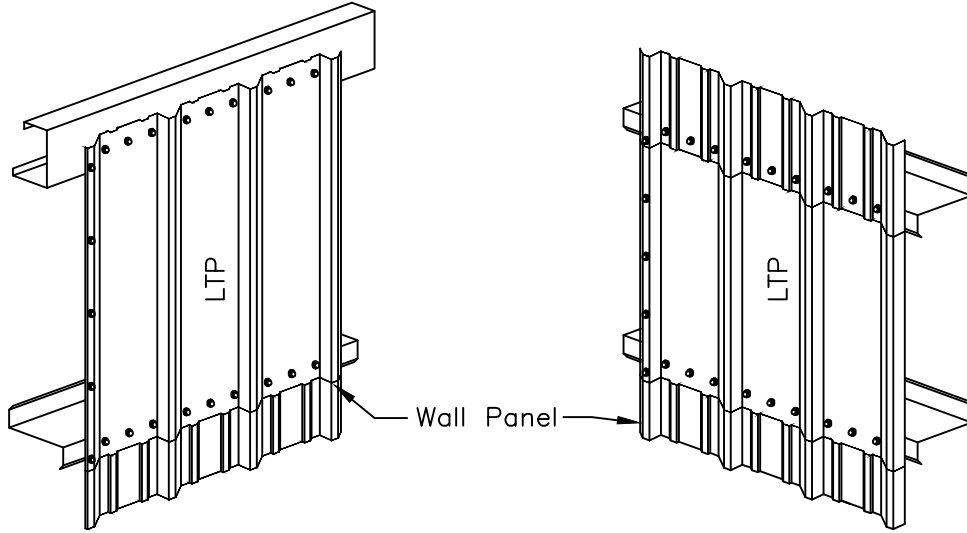


PBR Light Transmitting Wall Panel

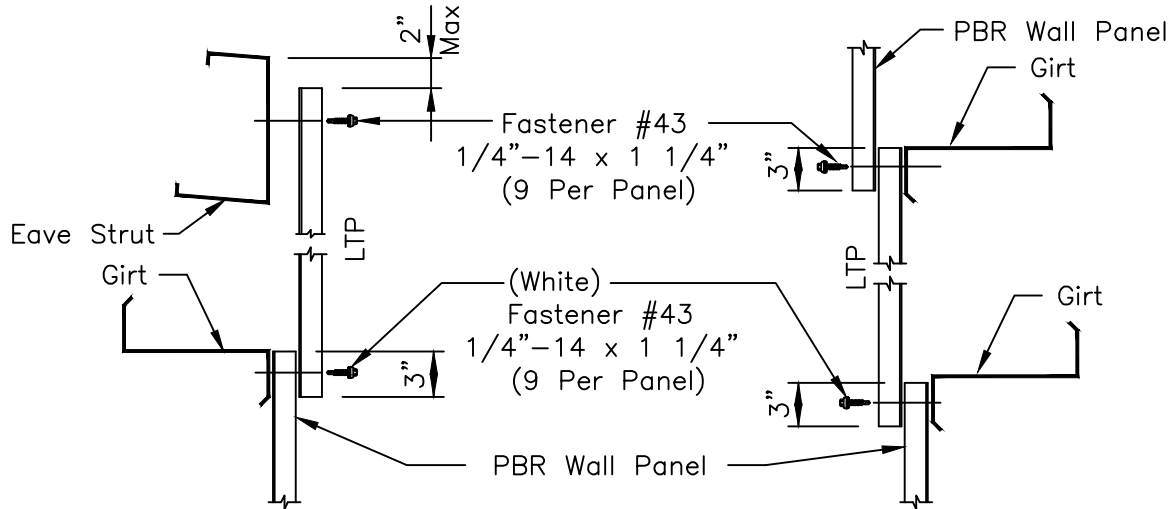
Florida Approval No. FL5614.1 Girt Front Leg Down

Light Transmitting Panels less than 10'-8" may require field cutting to length (see PW11003 to PW11007 for instructions).



Wall Light Band At Eave

Wall Light Band Between Girts



Panels At Eave Strut

Panels Between Girts

