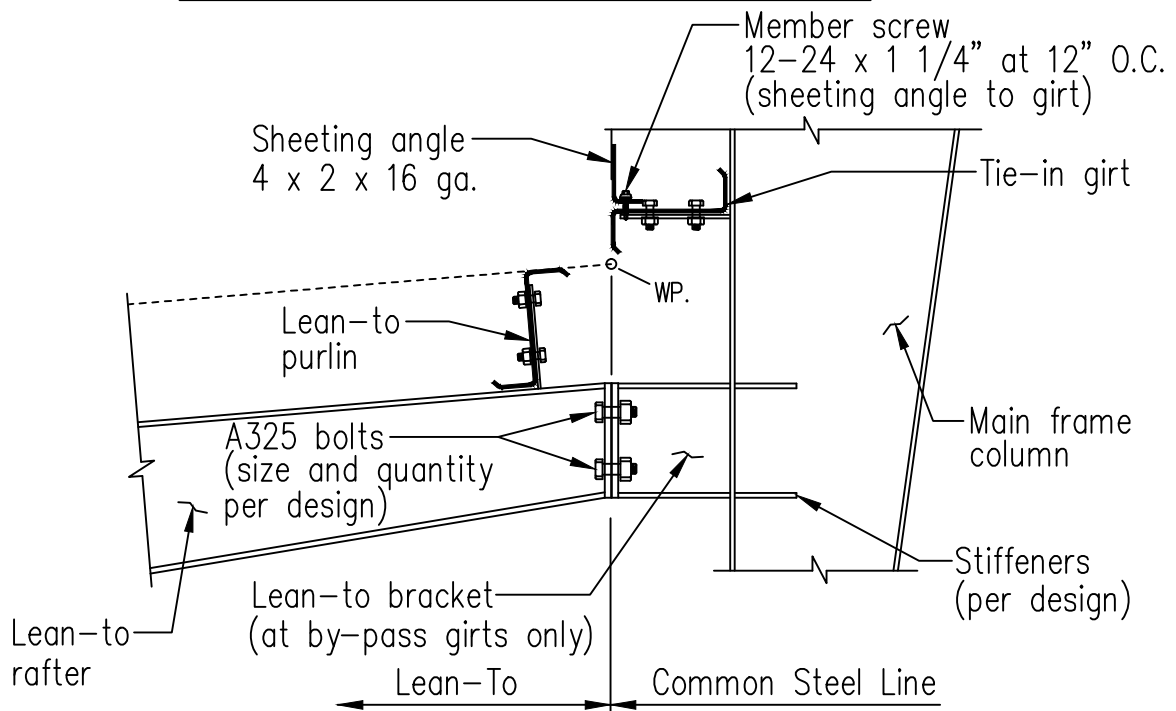


Eave Line Lean-To Connection



Below Eave Lean-To Connection (Common Wall Sheeted Full Height)

Note: All Conn. Bolts are 1/2" x 1" Mach. Bolts unless noted

Lean-To Connection To Main Frame Column (By-Pass Girts)

08/21/09

Created On: 08/21/09

NOTE: These drawings are intended to depict general installation of item(s) described above. Some item(s) may have been omitted for clarity of presentation. Consult your erection manual or additional SD-Sheets for further guidelines and/or clarifications.

DRAWING NO.

SD34