

# Welded Clip Primary Frame Detail Toed Up Bypass Girt to Girt Clip

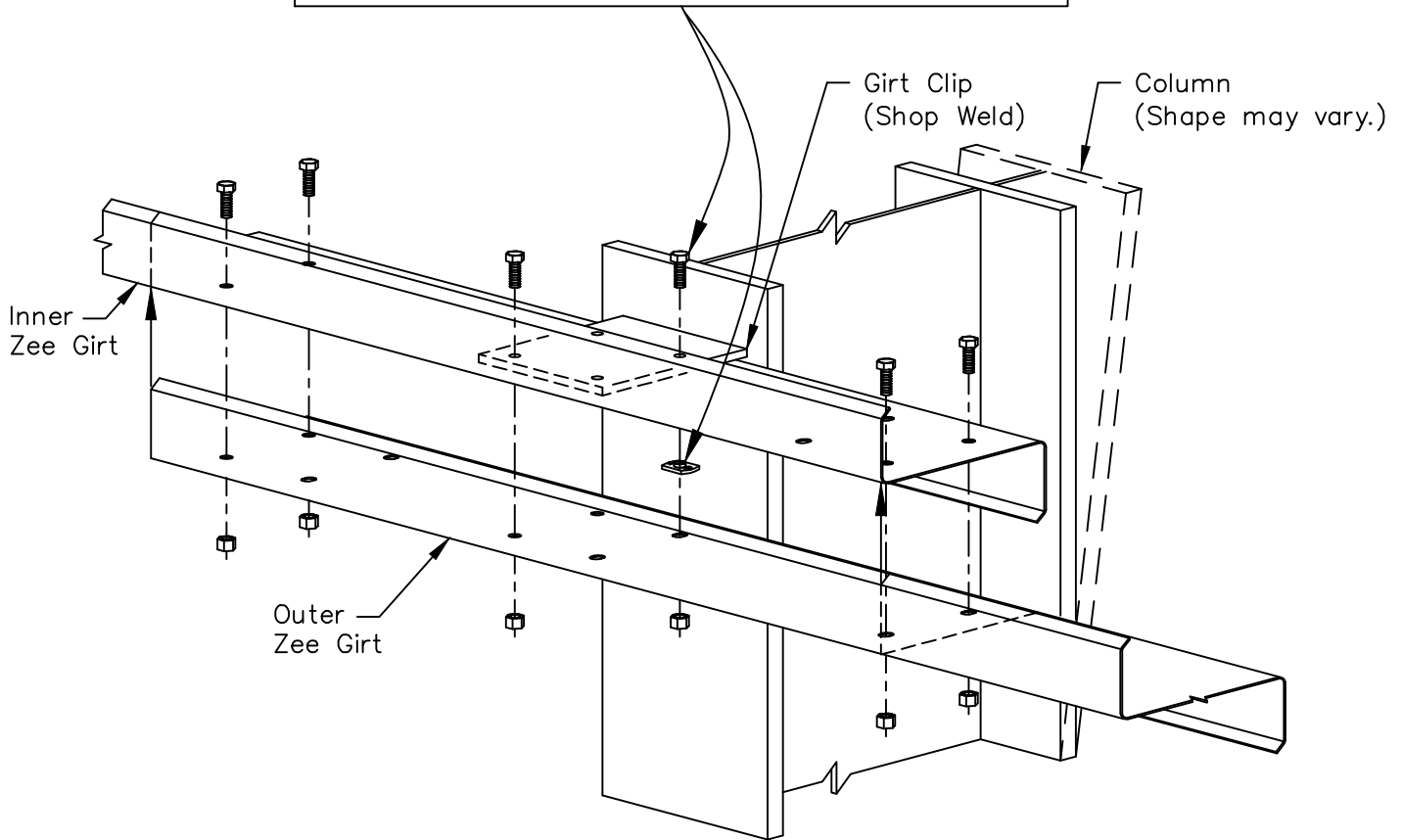
Page  
CF01119

Date  
Mar '11

Rev.  
00

## NOTE;

- 1.) Attach inner Zee Girt to Girt Clip with (1)  $\frac{1}{2}$ "  $\varnothing$  Bolt and Sub-Nut WN500
- 2.) With Sub-Nut Tightened and left in place, install outer Zee Girt attaching to the in place Bolt with a  $\frac{1}{2}$ " Hex Nut HSN500. Install second  $\frac{1}{2}$ "  $\varnothing$  Bolt with Hex Nut diagonally across from the in place Bolt. Remaining aligned holes to remain open.



## Erection Note

Lap and attachment of Girt varies refer to "Elevation Plan" and Lap Detail for requirements.