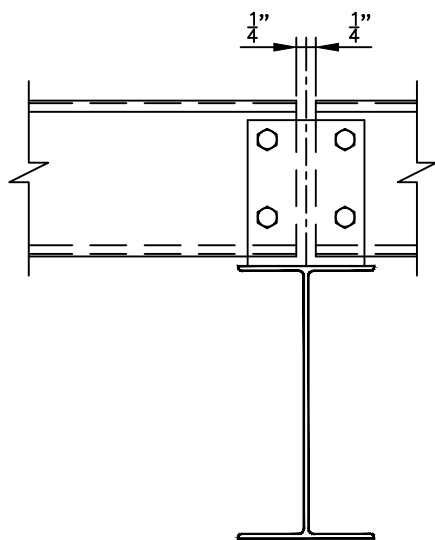
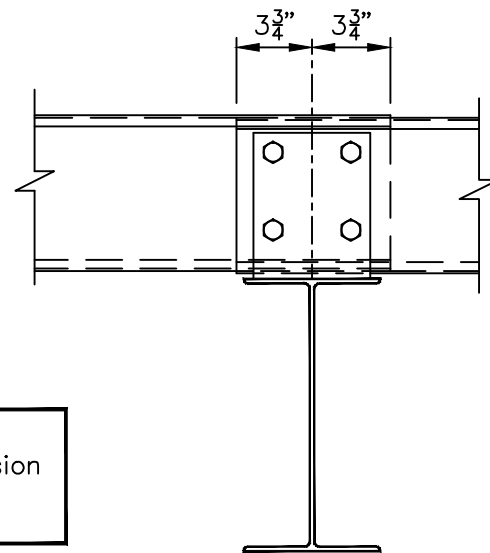


By-Pass Purlin and Girt Connections

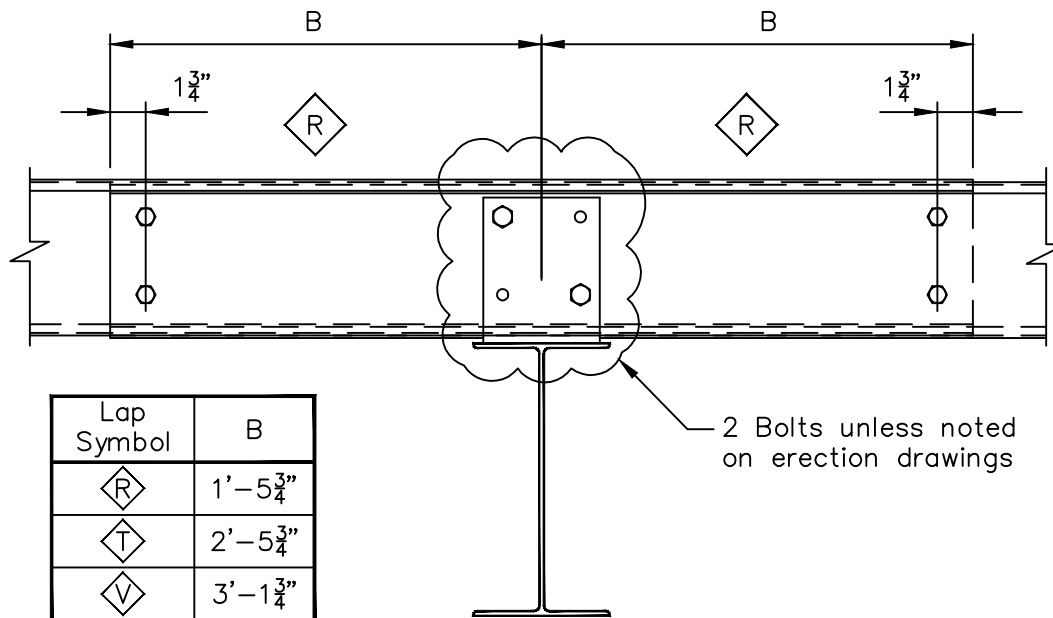


Lap Symbol $\diamond G$



Lap Symbol $\diamond S$

All bolts are 1/2" Dimension bolts unless specified.



Lap Symbol	B
$\diamond R$	1'-5 $\frac{3}{4}$ "
$\diamond T$	2'-5 $\frac{3}{4}$ "
$\diamond V$	3'-1 $\frac{3}{4}$ "

Lap Detail

By-Pass Purlin / Girt Lap Details