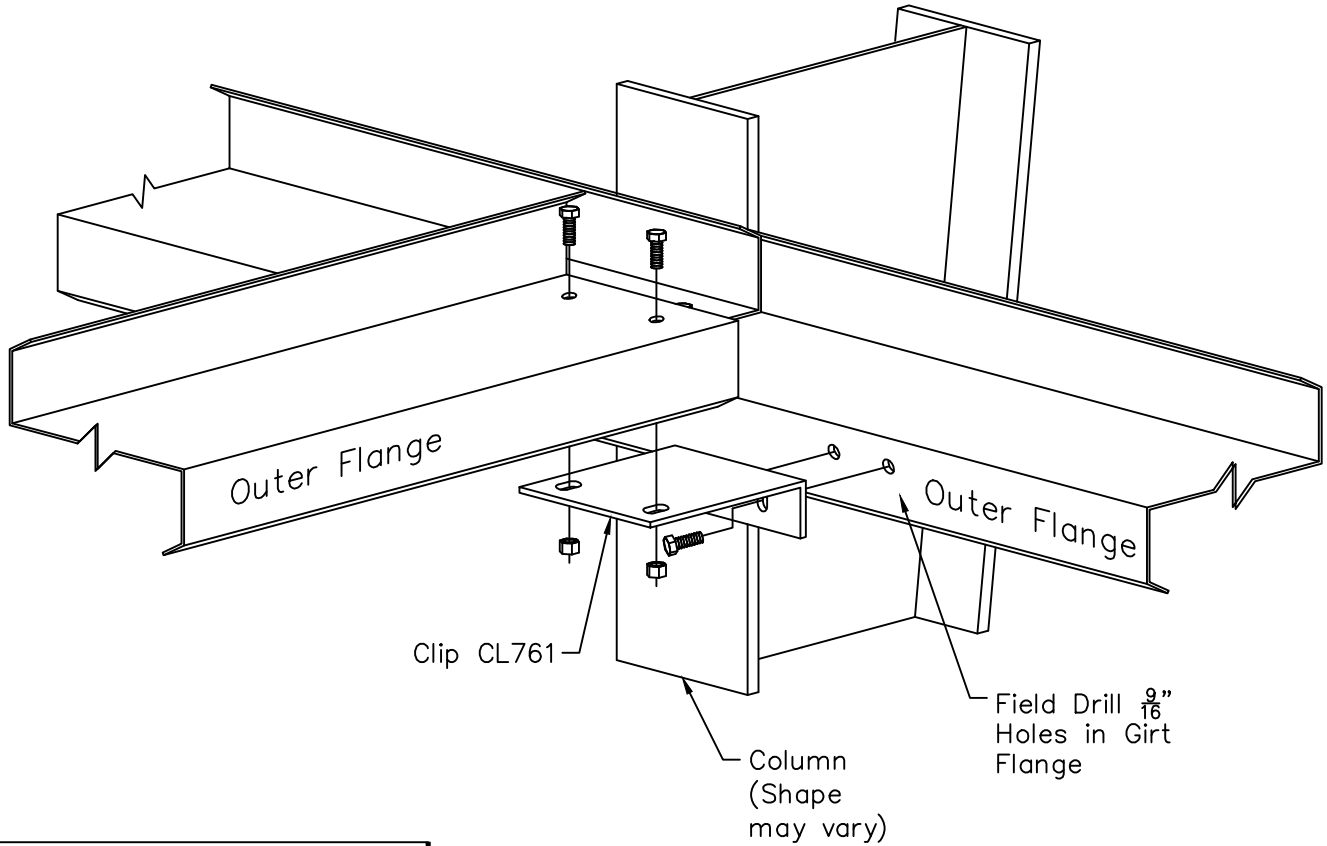


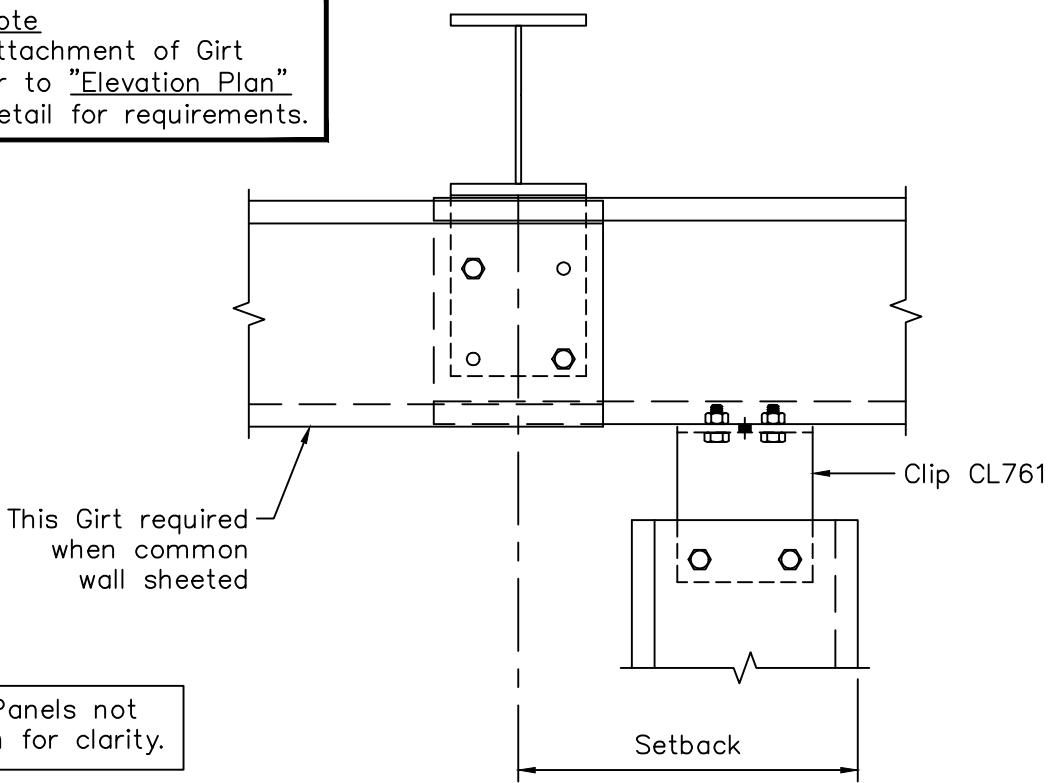
# Girt Tie-In - Interior Frame - Common Wall Sheeted Bypass Column - Girt Webs Align

Note: All Bolts are  $\frac{1}{2}$ " Diameter

Zee Girt shown, Tie-in Detail similar for Cee or Zee Girt with outer flange toed up.



Erection Note  
Lap and attachment of Girt varies refer to "Elevation Plan" and Lap Detail for requirements.



Wall Panels not shown for clarity.