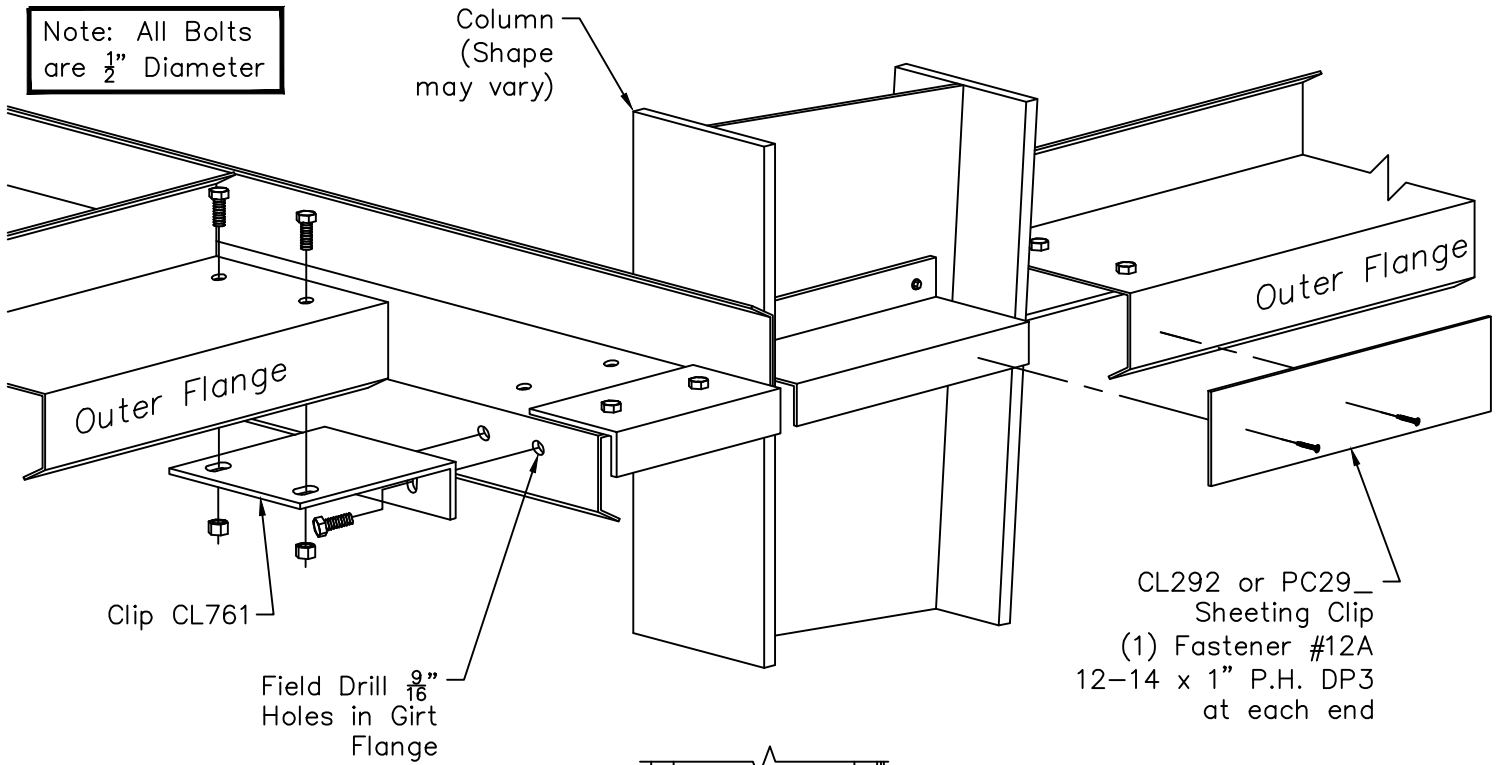
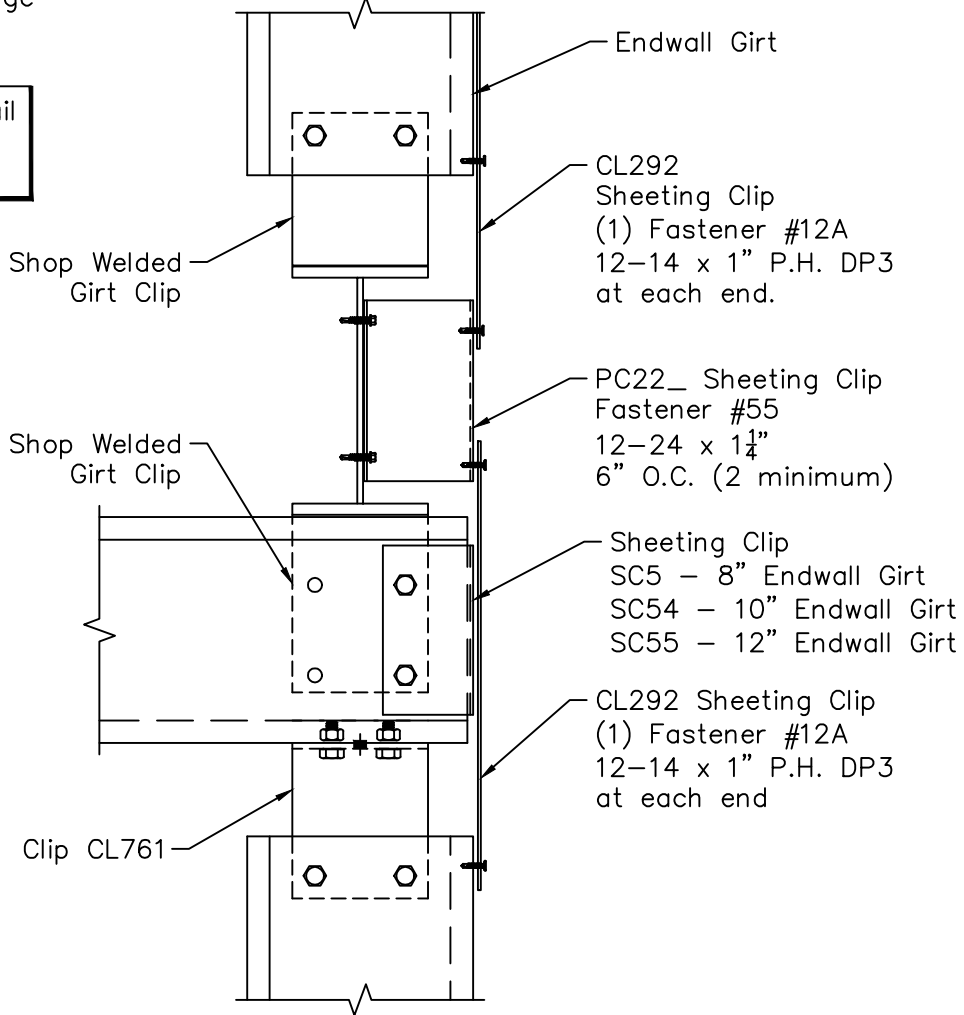


Girt Tie-In - End Frame - Common Wall Sheeted Bypass Column - Endwall Girt Centered on Column Flange

Note: All Bolts are $\frac{1}{2}$ " Diameter



Zee Girt shown, Tie-in Detail similar for Cee or Zee Girt with outer flange toed up.



Wall Panels not shown for clarity.