

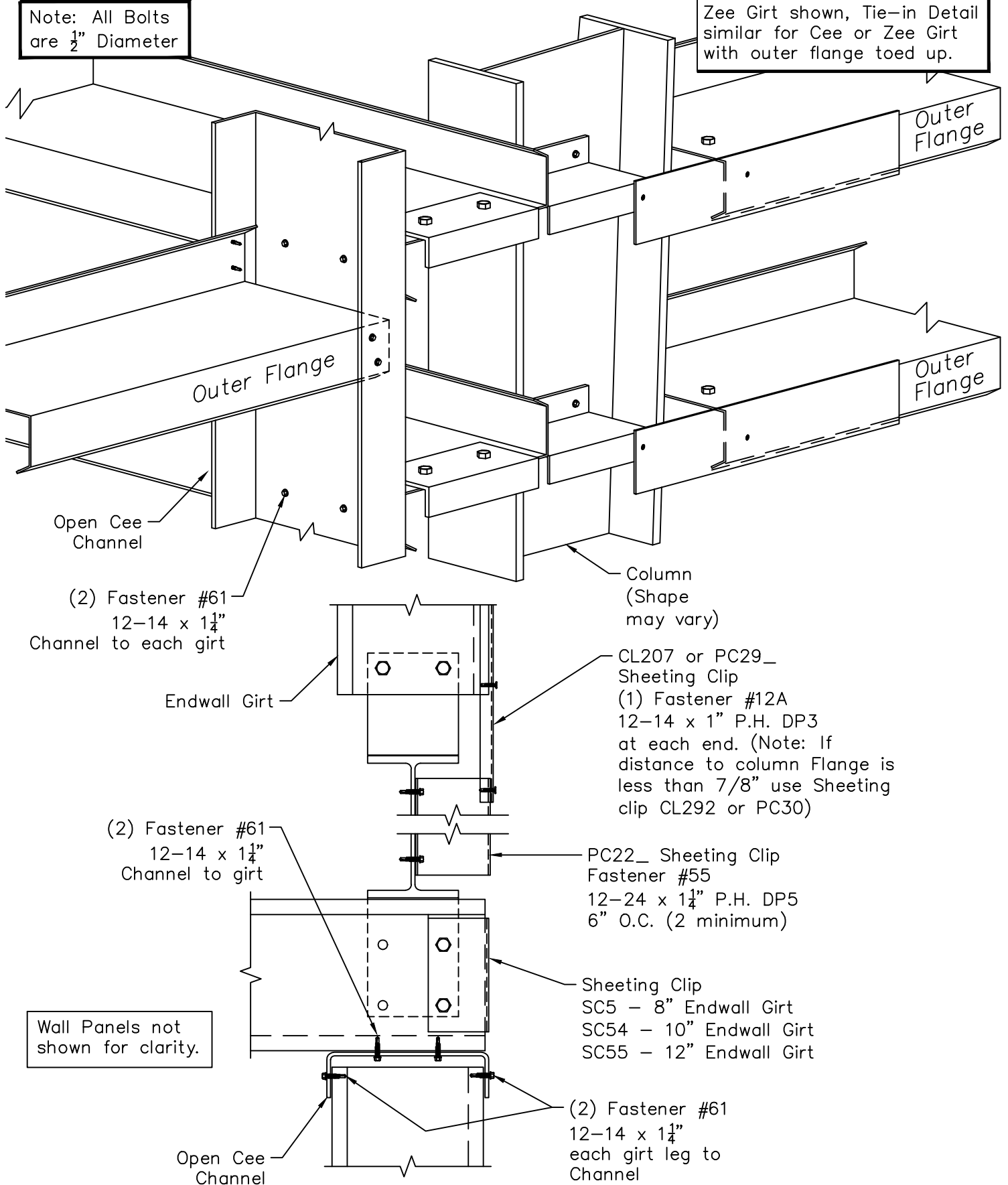
Girt Tie-In - End Frame - Common Wall Sheeted - Bypass Column

E/W Girt to Open "C" Channel - E/W Girt Centered on Column Flange

Page **EF04040**
 Date **Jul '11** Rev. **00**

Note: All Bolts are $\frac{1}{2}$ " Diameter

Zee Girt shown, Tie-in Detail similar for Cee or Zee Girt with outer flange toed up.



Wall Panels not shown for clarity.

(2) Fastener #61
 12-14 x $\frac{1}{4}$ "
 each girt leg to
 Channel