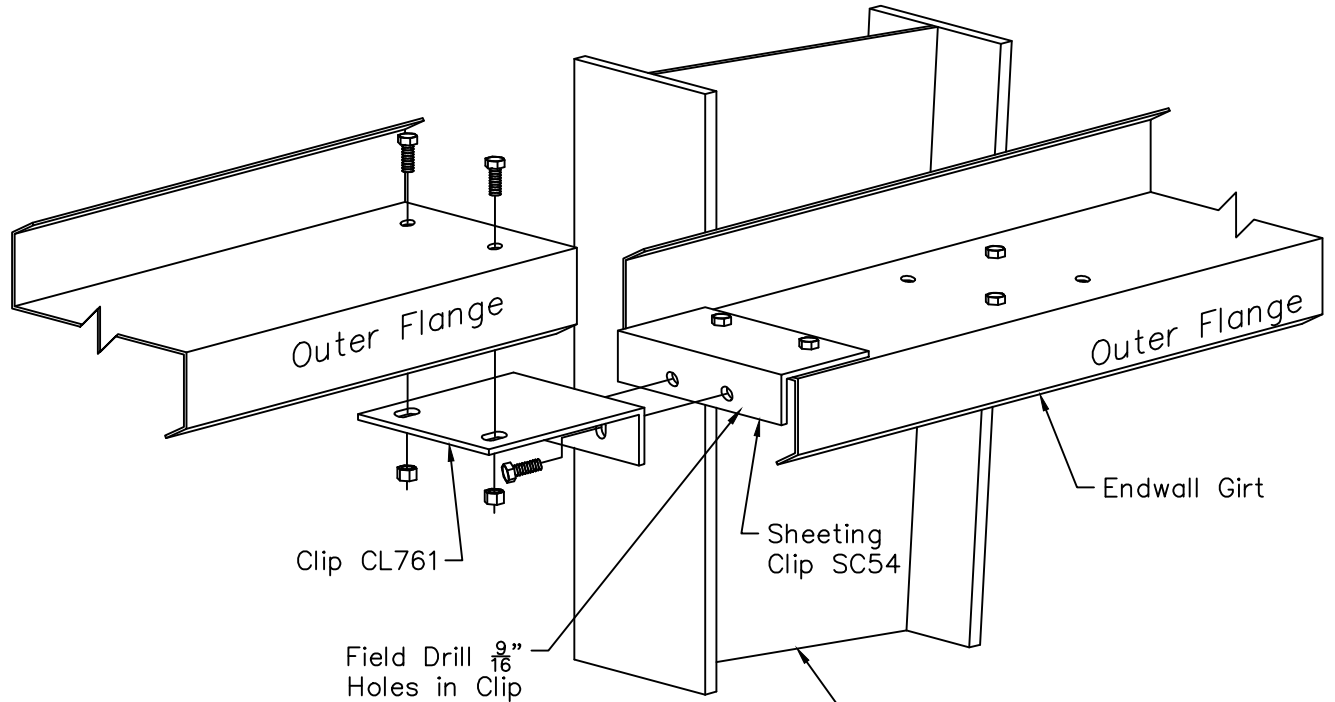


# Girt Tie-In - End Frame - Common Wall Open

## Bypass Column - Endwall Girt Bypasses Column Flange

Note: All Bolts are  $\frac{1}{2}$ " Diameter

Zee Girt shown, Tie-in Detail similar for Cee or Zee Girt with outer flange toed up.



Clip CL761

Field Drill  $\frac{9}{16}$ " Holes in Clip

Sheeting Clip SC54

Column (Shape may vary)

Endwall Girt

Clip PC77

Endwall Girt

Sheeting Clip SC54

Steel/Girt Line

CL292 Sheeting Clip (1) Fastener #12A 12-14 x 1" P.H. DP3 at each end

Clip CL761

Setback

Wall Panels not shown for clarity.