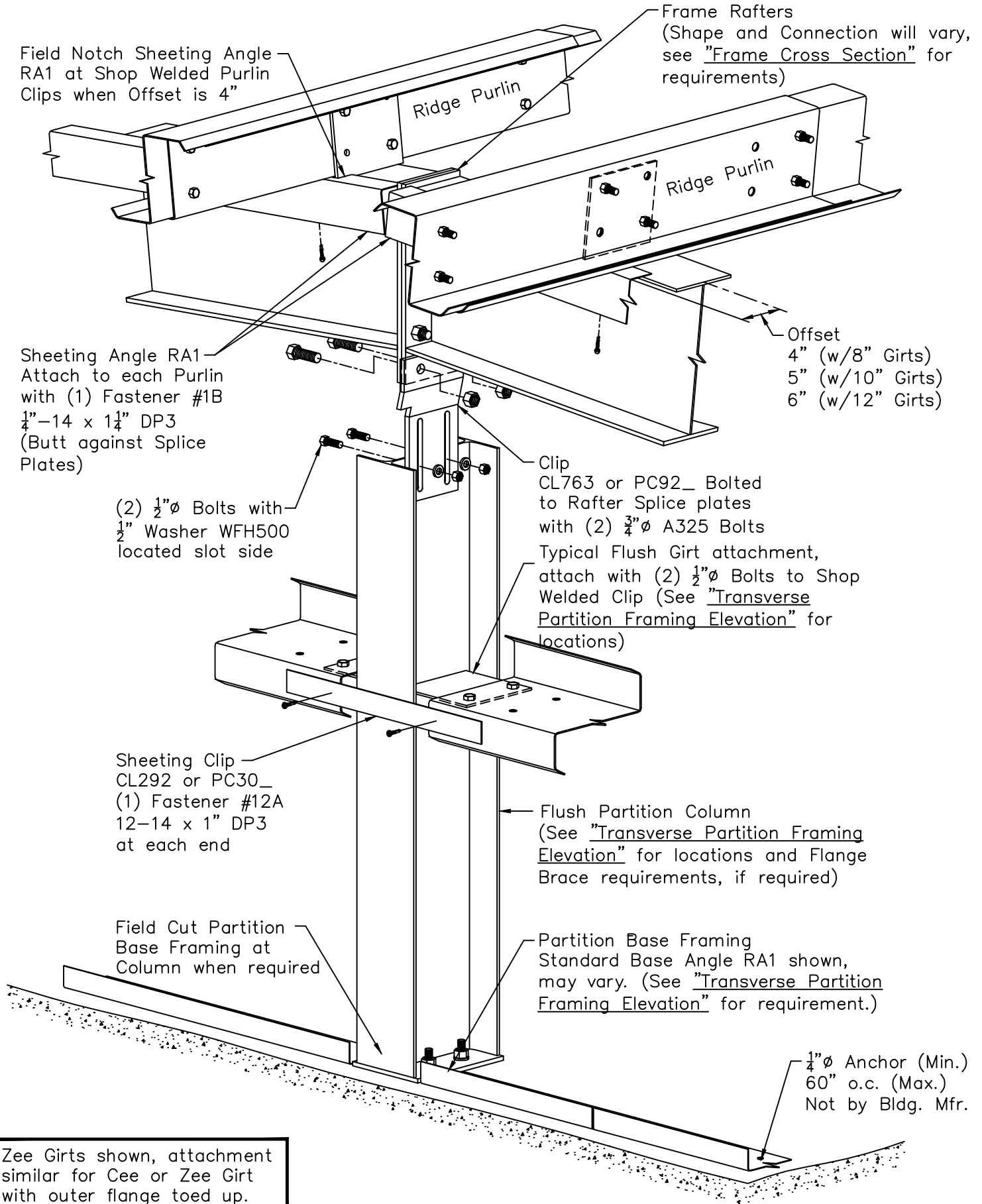


Flush Transverse Partition - Flush Column at Peak (Rafter Spliced) Type 4 Connection without Column Extension



Zee Girts shown, attachment similar for Cee or Zee Girt with outer flange toed up.