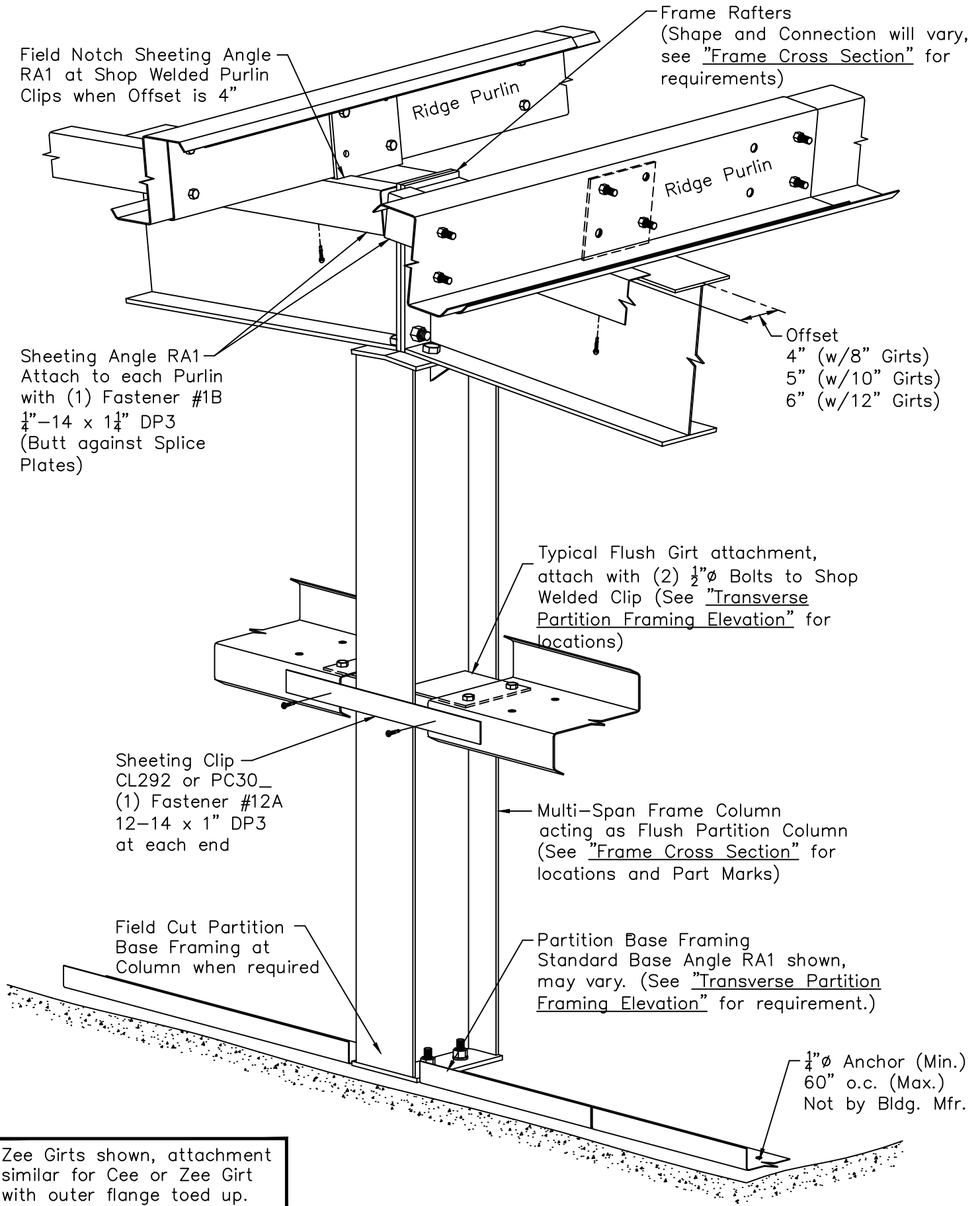


Flush Transverse Partition - Flush Load Bearing Column at Peak Type 3 Connection without Column Extension



Zee Girts shown, attachment similar for Cee or Zee Girt with outer flange toed up.