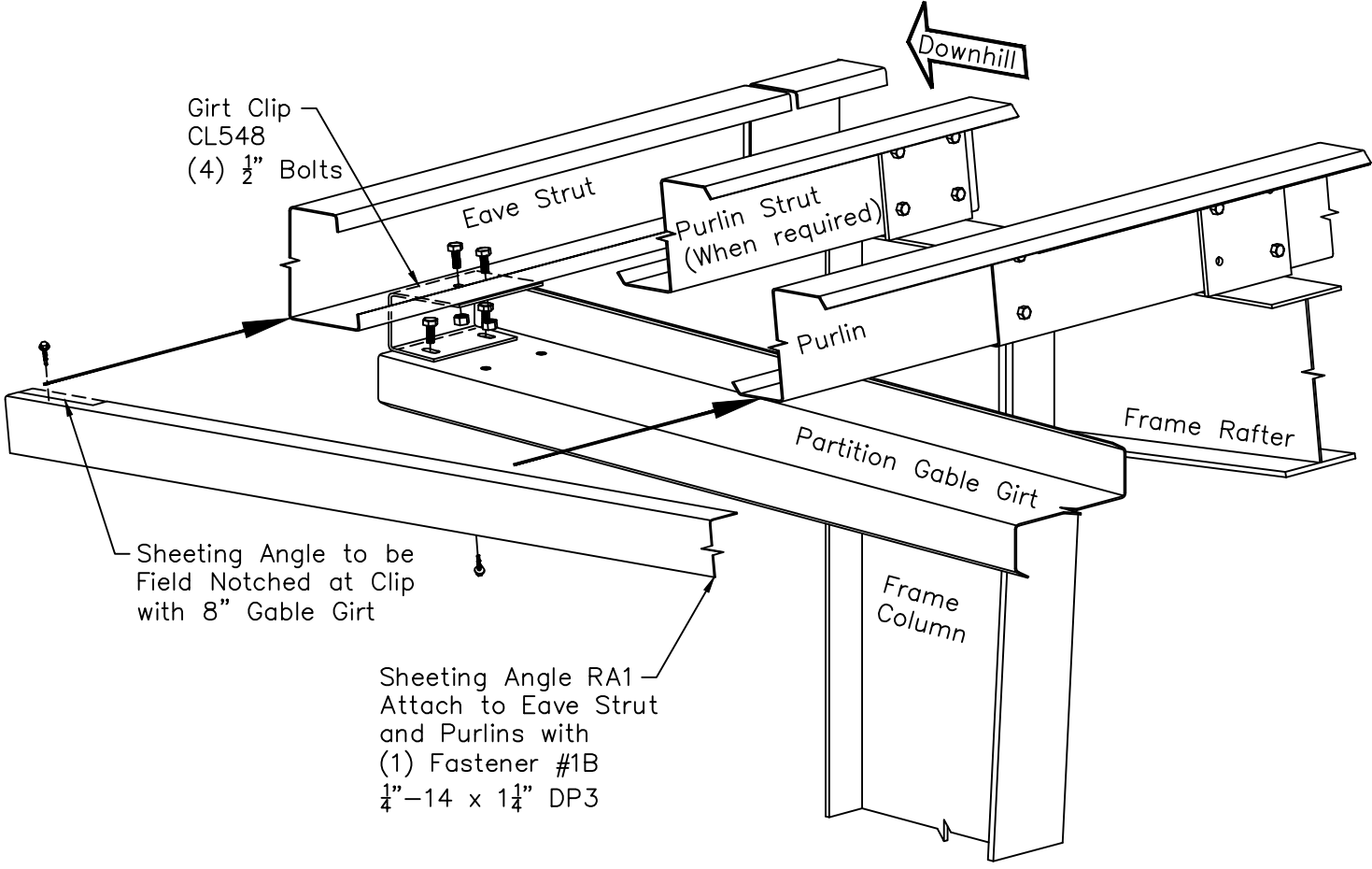


Offset Transverse Partition Partition Gable Girt attached to Eave Strut



Girt Clip
CL548
(4) 1/2" Bolts

Downhill

Sheeting Angle to be
Field Notched at Clip
with 8" Gable Girt

Sheeting Angle RA1
Attach to Eave Strut
and Purlins with
(1) Fastener #1B
1/4" - 14 x 1 1/4" DP3

Rafter/Column shape and
connection will vary, see
"Frame Cross Section" for
requirements.

Zee Girt shown, attachment
similar for Cee or Zee Girt
with outer flange toed up.