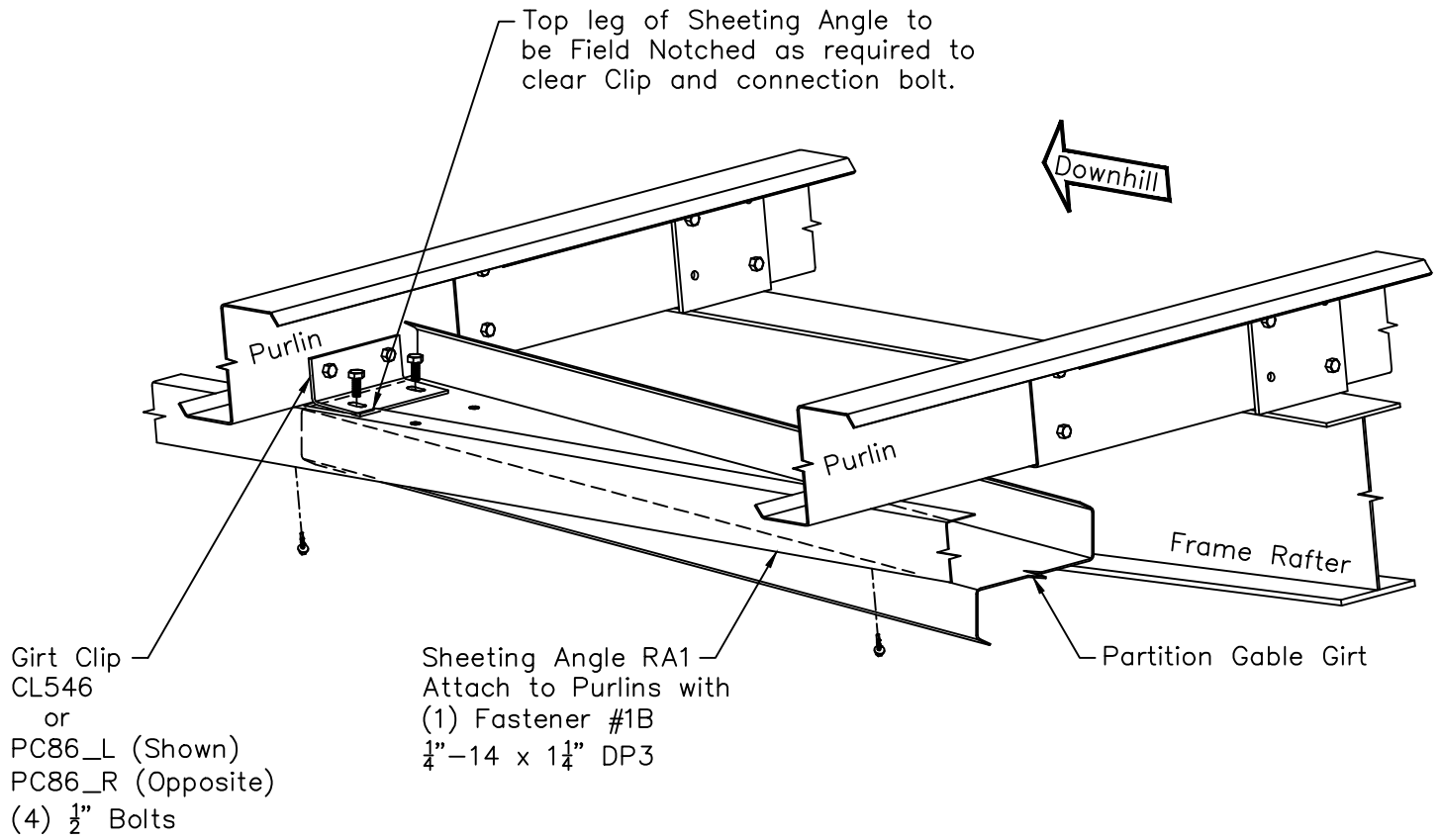


Offset Transverse Partition Partition Gable Girt attached to Purlin



Zee Girt shown, attachment similar for Cee or Zee Girt with outer flange toed up.