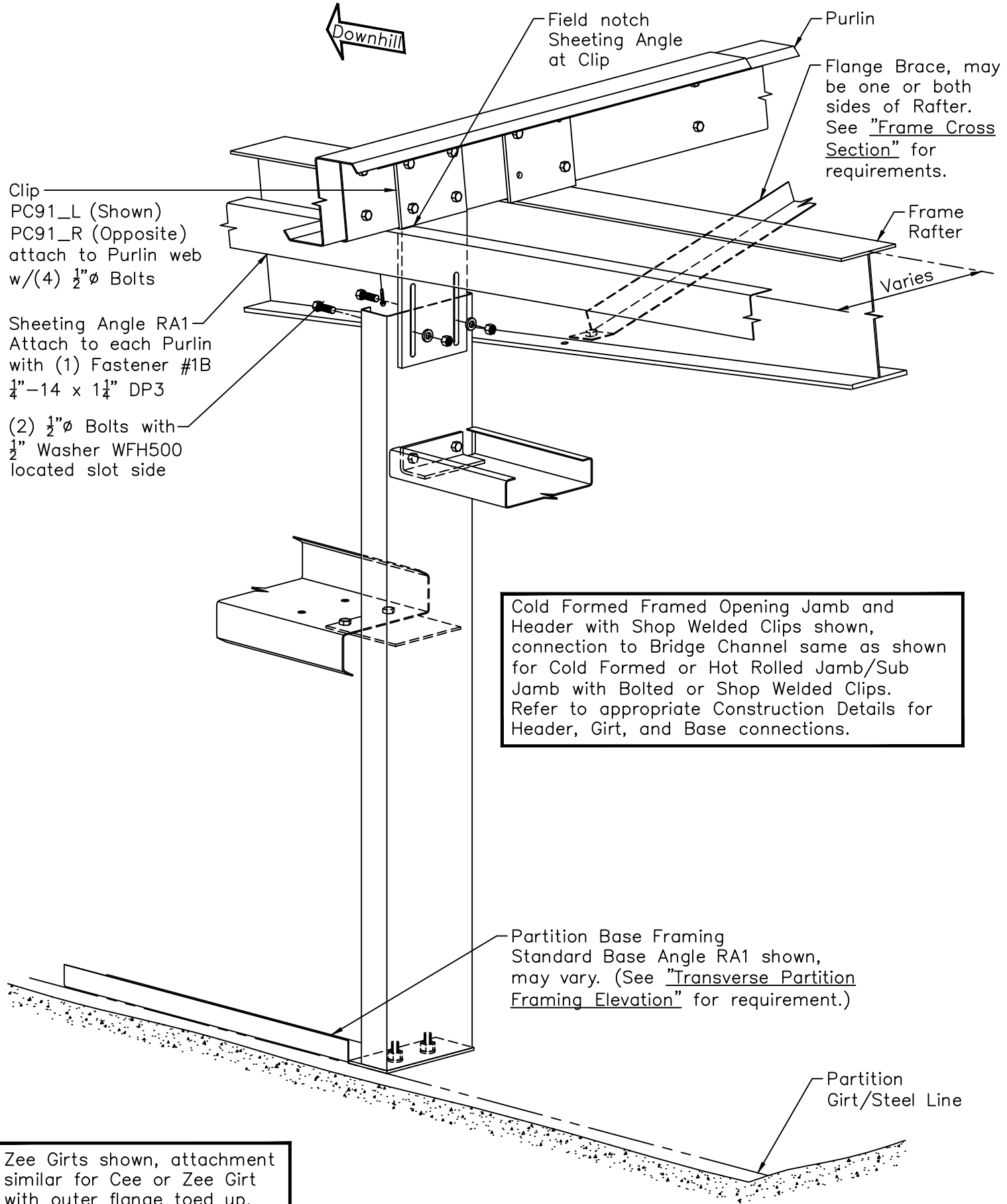


# Offset Transverse Partition - Jamb/Sub-Jamb Type 4 Connection to Purlin



Clip  
PC91\_L (Shown)  
PC91\_R (Opposite)  
attach to Purlin web  
w/(4) 1/2"  $\phi$  Bolts

Sheeting Angle RA1  
Attach to each Purlin  
with (1) Fastener #1B  
1/4"-14 x 1 1/4" DP3

(2) 1/2"  $\phi$  Bolts with  
1/2" Washer WFH500  
located slot side

Cold Formed Framed Opening Jamb and Header with Shop Welded Clips shown, connection to Bridge Channel same as shown for Cold Formed or Hot Rolled Jamb/Sub Jamb with Bolted or Shop Welded Clips. Refer to appropriate Construction Details for Header, Girt, and Base connections.

Partition Base Framing  
Standard Base Angle RA1 shown,  
may vary. (See "Transverse Partition Framing Elevation" for requirement.)

Zee Girts shown, attachment similar for Cee or Zee Girt with outer flange toed up.