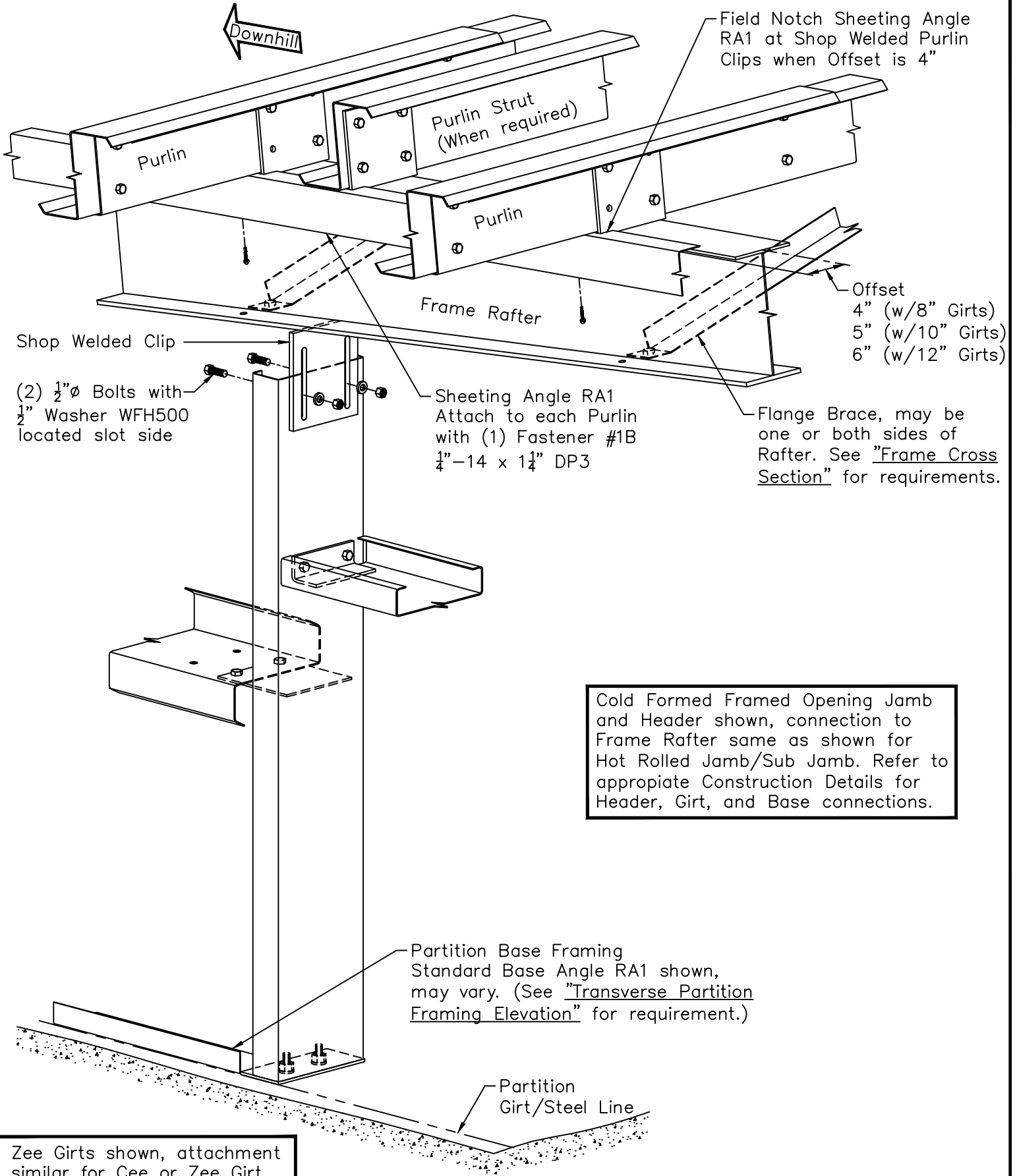


# Flush Transverse Partition - Type 4 Connection

## Welded F.O. Jamb/Sub-Jamb at Slope - Field and Factory Located



Zee Girts shown, attachment similar for Cee or Zee Girt with outer flange toed up.