

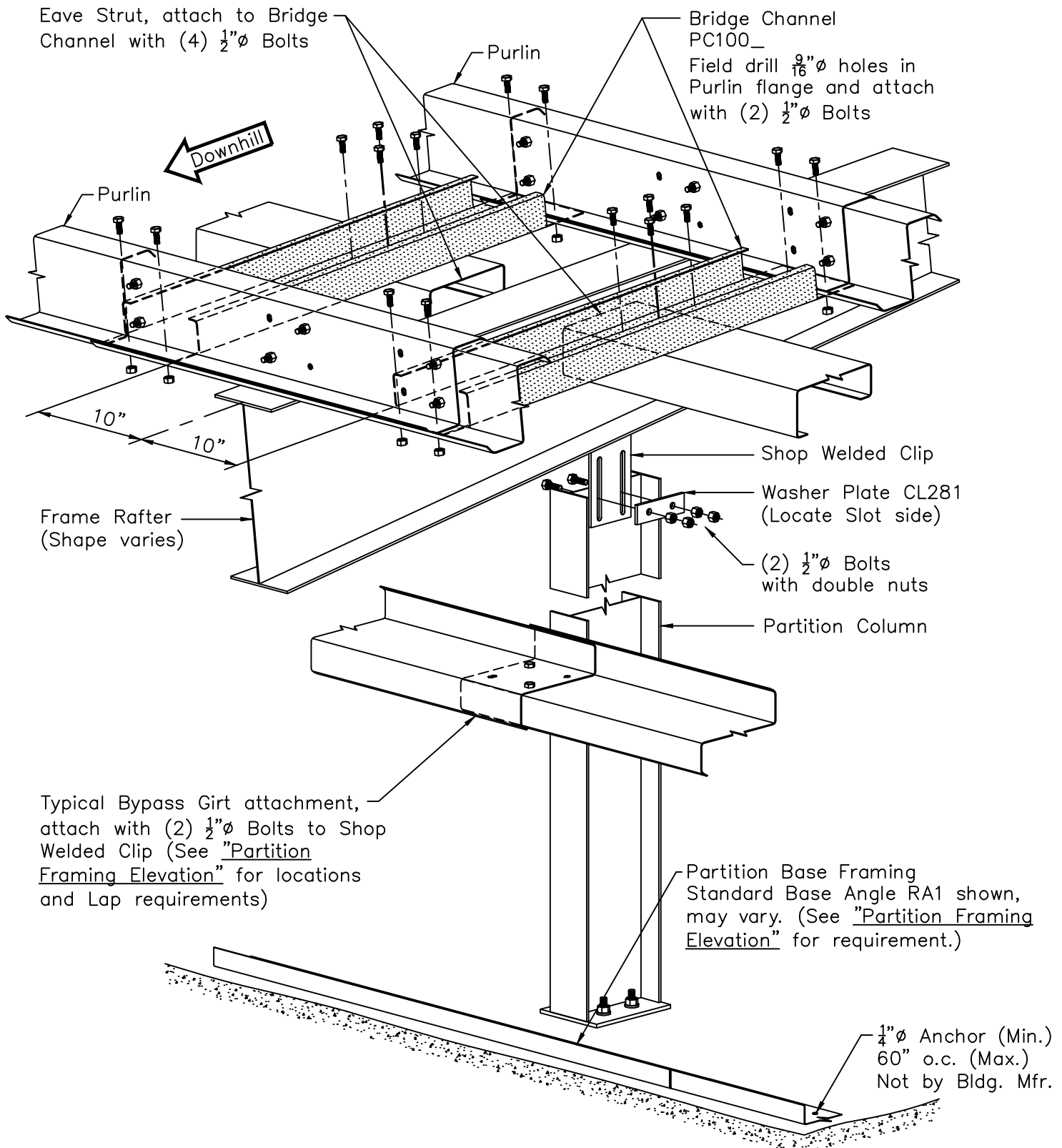
Longitudinal Partition - Bypass

Partition Column located on Frame Line - Low Side Sheeted

Page
CP10001

Date
Dec '12

Rev.
00



Erection Notes

- 1.) Lap and attachment of Purlins varies refer to "Roof Plan" and Lap Details for requirements.
- 2.) Zee Girts shown, attachment similar for Cee or Zee Girt with outer flange toed up.