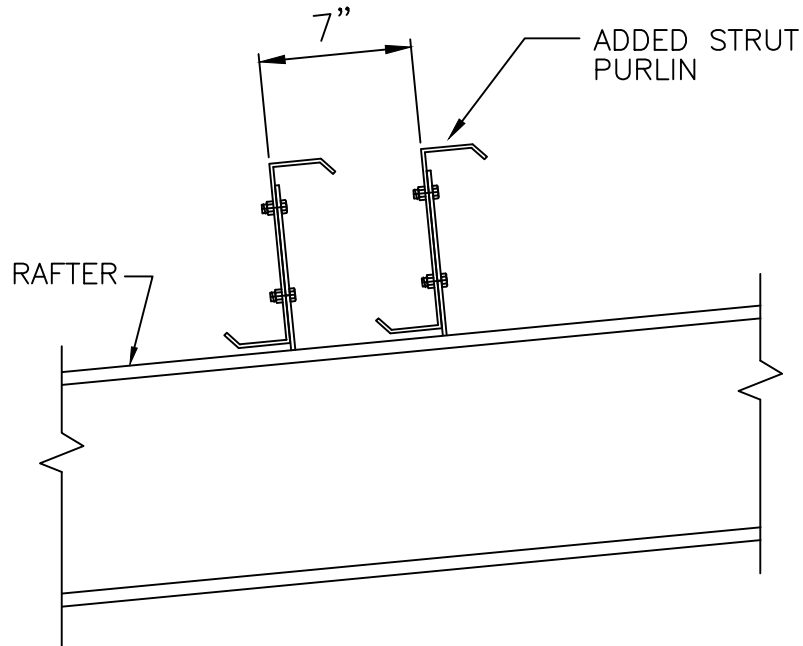


PRIMARY FRAME DETAIL  
DOUBLE STRUT PURLIN – CLIP WELDED

SHT. NO. PF04022	
DATE Sep '11	REV. 00



NOTES: ROOF SHEETS MUST BE ATTACHED TO THE ADDED STRUT PURLINS WITH SCREWS ON RIBBED ROOFS. THEY ARE NOT REQUIRED ON STANDING SEAM ROOFS. SEE ROOF PLAN FOR THE BAYS WITH ADDED STRUT PURLINS.