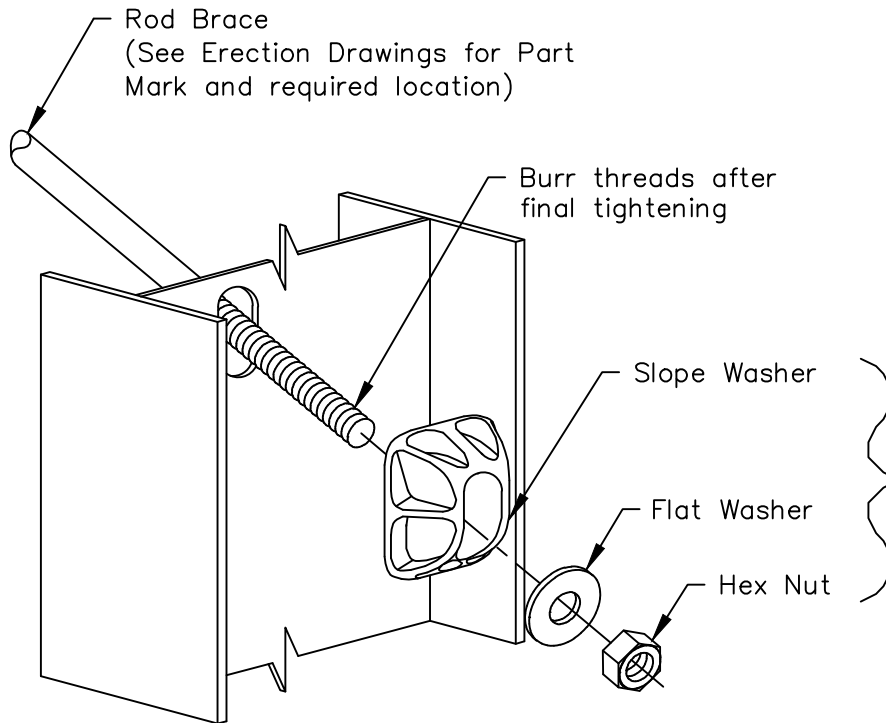


Rod Brace Attachment at Web



Note;
These items shipped loose.
See table below for Part Marks.

ERECTION NOTE: DETAIL SHOWN AT COLUMN SIMILAR AT RAFTER.

PART MARKS FOR ROD BRACE				
ROD DIAMETER	ROD BRACE	SLOPE WASHER	FLAT WASHER	HEX NUT
$\frac{1}{2}$ " ϕ	WR08____	WS110	WFH500	HSN500
$\frac{5}{8}$ " ϕ	WR10____	WS110	WFH625	HSN625
$\frac{3}{4}$ " ϕ	WR12____	WS120	WFH750	HSN750
$\frac{7}{8}$ " ϕ	WR14____	WS120	WFH875	HSN875
1" ϕ	WR16____	WS130	WFH1000	HSN1000