

# Double Clevised Rod Brace Attachment

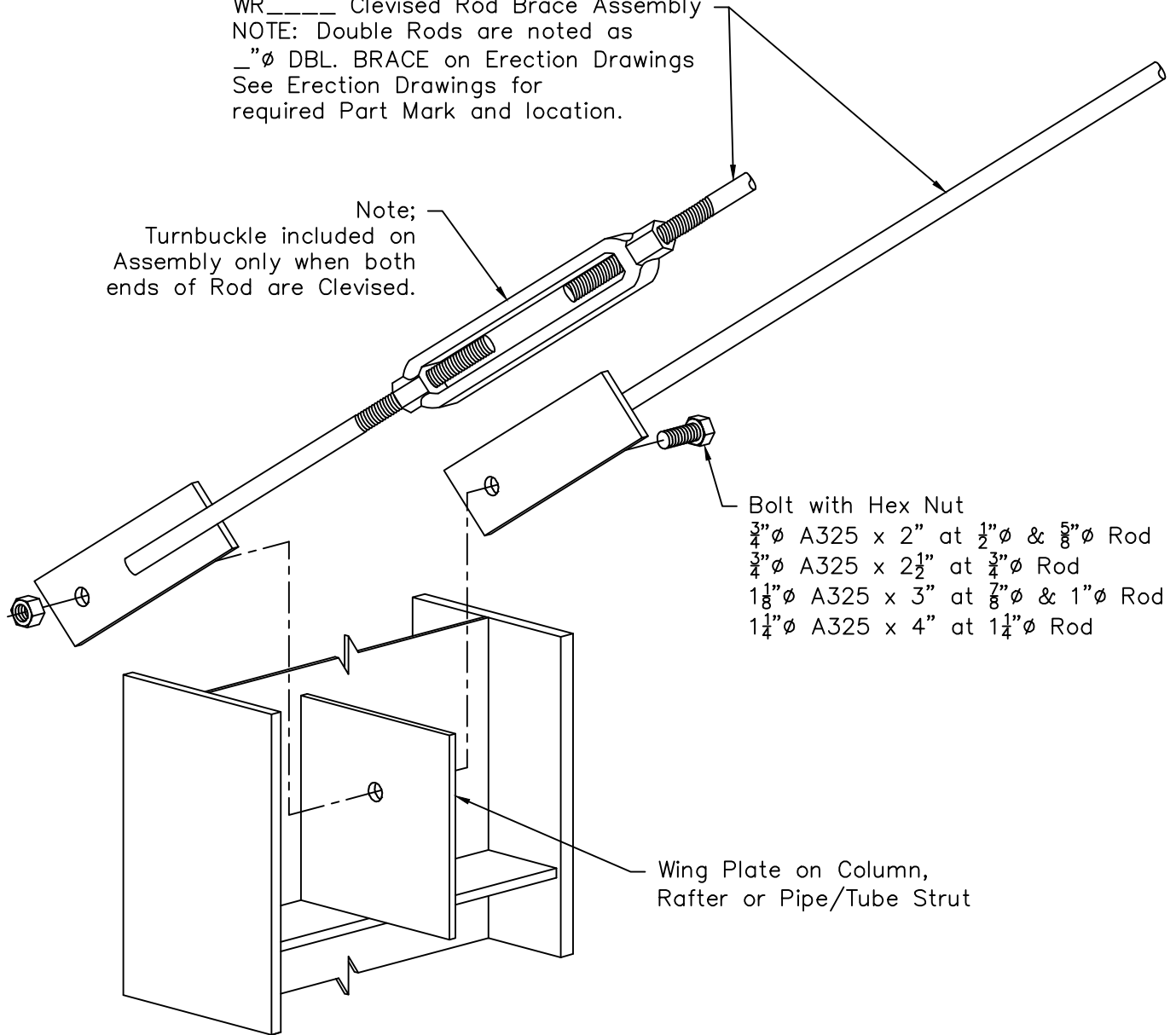
Page  
PF04114

Date  
Dec '12

Rev.  
02

WR\_\_\_\_\_ Clevised Rod Brace Assembly  
NOTE: Double Rods are noted as  
\_” $\phi$  DBL. BRACE on Erection Drawings  
See Erection Drawings for  
required Part Mark and location.

Note;  
Turnbuckle included on  
Assembly only when both  
ends of Rod are Clevised.



Bolt with Hex Nut  
 $\frac{3}{4}$ " $\phi$  A325 x 2" at  $\frac{1}{2}$ " $\phi$  &  $\frac{5}{8}$ " $\phi$  Rod  
 $\frac{3}{4}$ " $\phi$  A325 x 2 $\frac{1}{2}$ " at  $\frac{3}{4}$ " $\phi$  Rod  
 $1\frac{1}{8}$ " $\phi$  A325 x 3" at  $\frac{7}{8}$ " $\phi$  & 1" $\phi$  Rod  
 $1\frac{1}{4}$ " $\phi$  A325 x 4" at  $1\frac{1}{4}$ " $\phi$  Rod

Wing Plate on Column,  
Rafter or Pipe/Tube Strut

ERECTION NOTE: DETAIL SHOWN AT COLUMN AND IS SIMILAR AT  
RAFTER OR PIPE/TUBE STRUT.