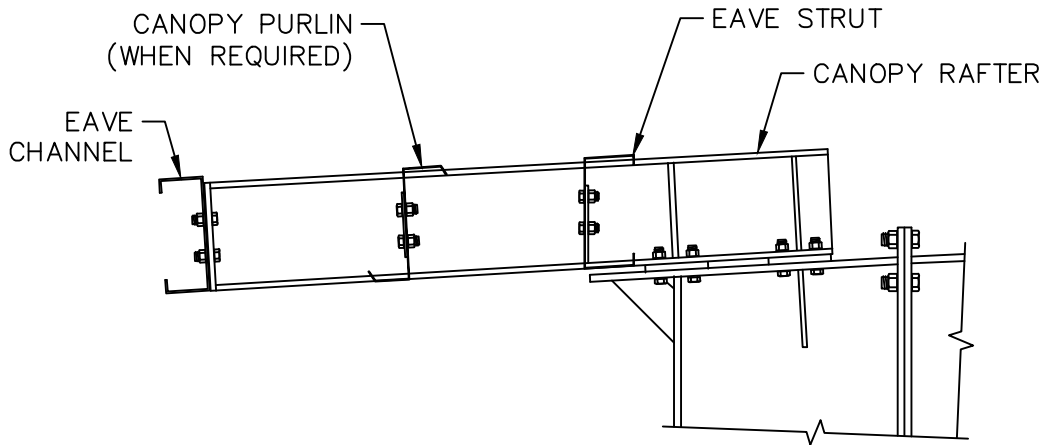


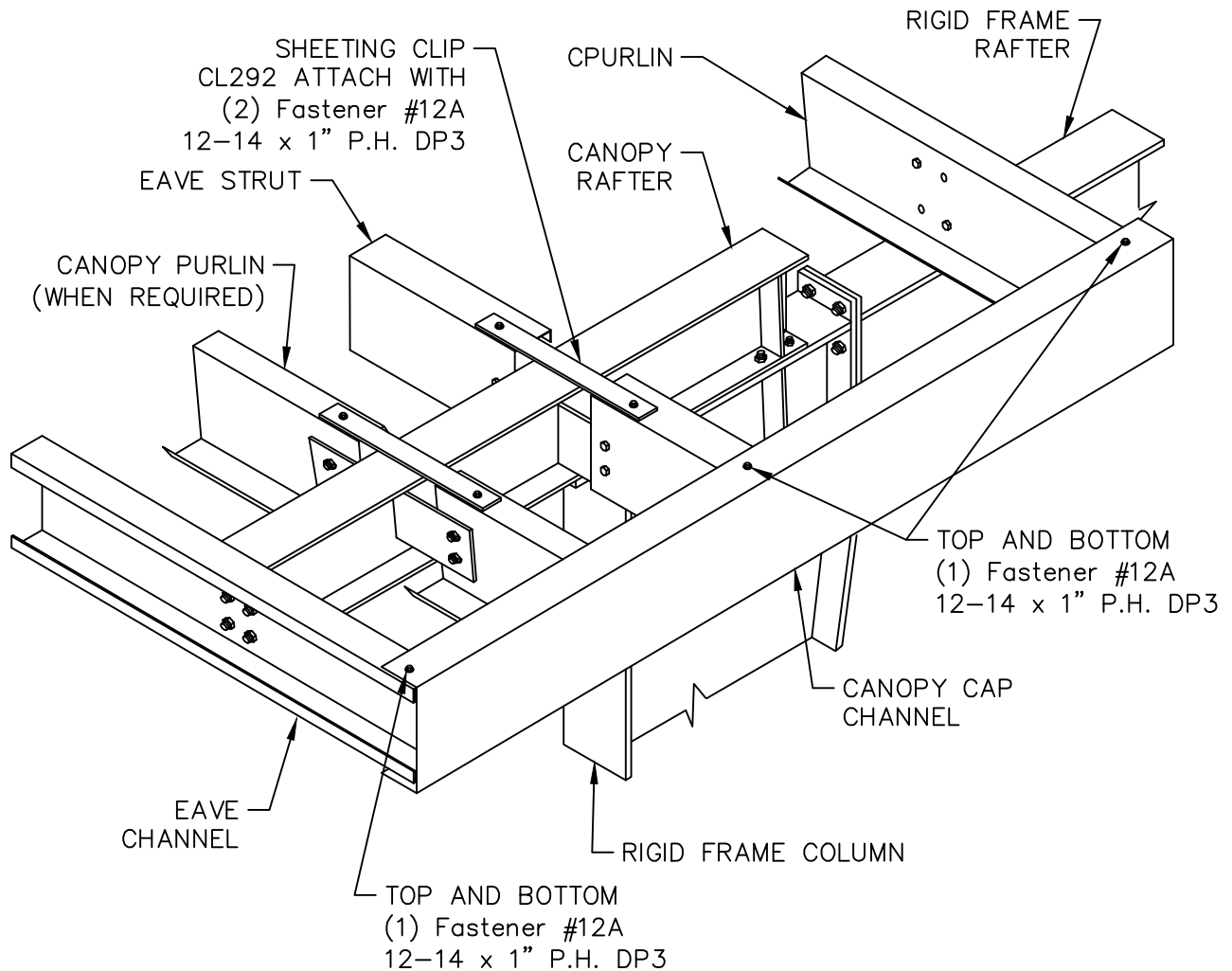
# Flush Canopy - At Eave - Welded Clip

## End Frame - Setback 10" or Greater - By-pass Girt

COLUMN DEPTH IS GREATER THAN OR EQUAL TO 1'-3"  
RIGID END FRAME



DETAIL AT WALL LINE



NOTES: ALL BOLTS TO BE  $\frac{1}{2}$ "  $\phi$  UNLESS NOTED.  
FOR REQUIRED LENGTH REFER TO GRIP  
TABLE ON CUSTOM ERECTION DRAWINGS.

CANOPY RAFTER CONNECTIONS AND STIFFENERS  
DEPICTED WILL VARY PER DESIGN REQUIREMENTS.