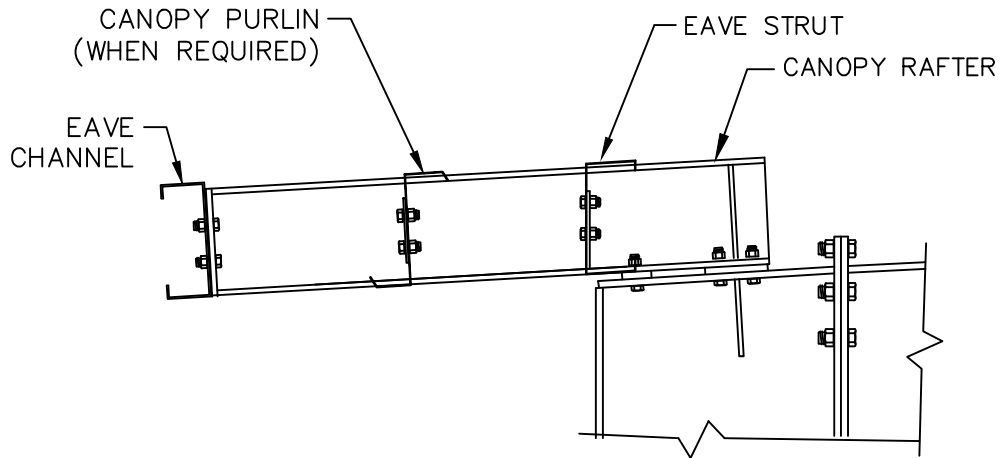


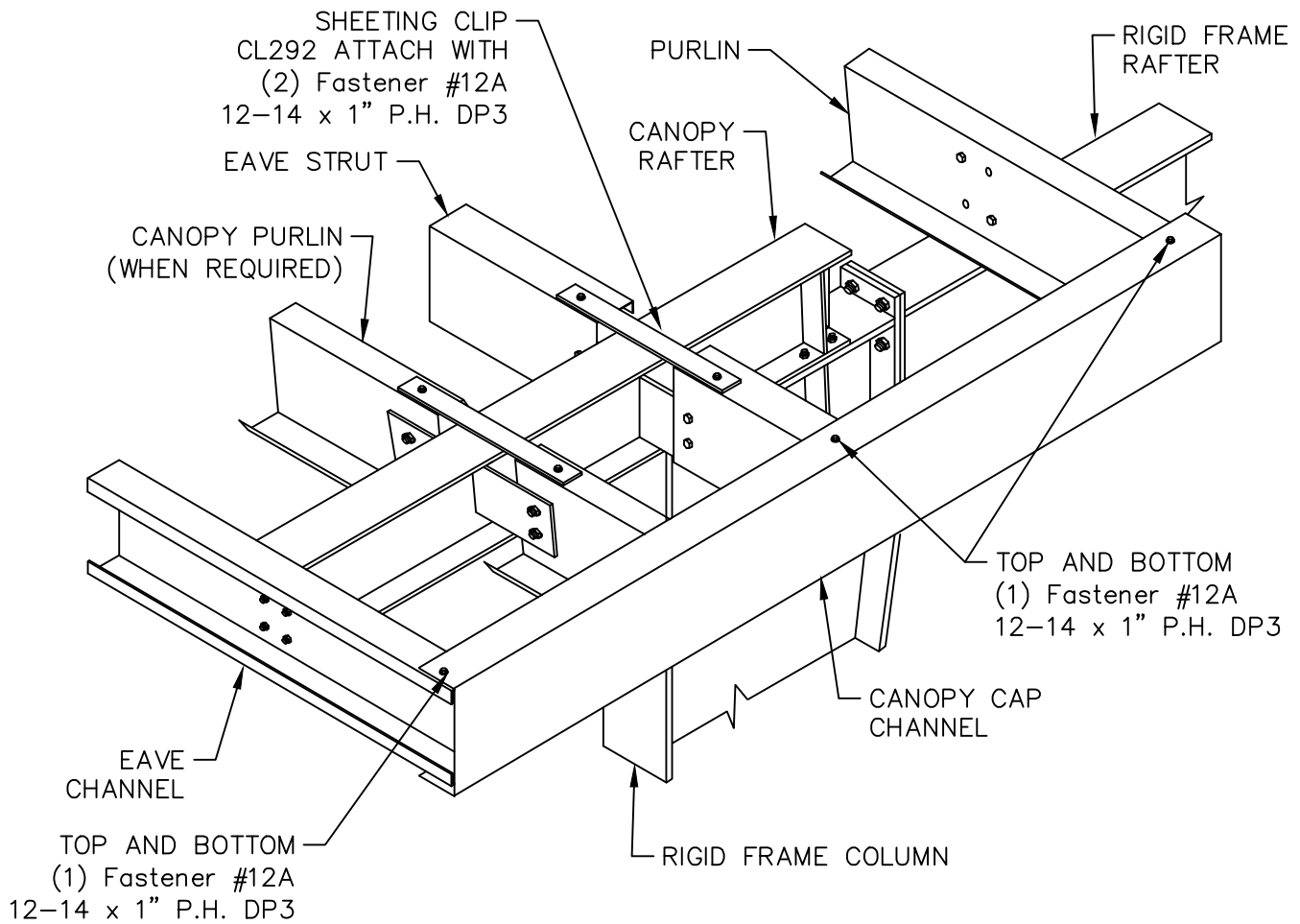
Flush Canopy - At Eave - Welded Clip

End Frame - Setback 10" or Greater - Flush Girt

COLUMN DEPTH IS GREATER THAN OR EQUAL TO 1'-3"
RIGID END FRAME



DETAIL AT WALL LINE



NOTES: ALL BOLTS TO BE $\frac{1}{2}$ " ϕ UNLESS NOTED.
FOR REQUIRED LENGTH REFER TO GRIP
TABLE ON CUSTOM ERECTION DRAWINGS.

CANOPY RAFTER CONNECTIONS AND STIFFENERS
DEPICTED WILL VARY PER DESIGN REQUIREMENTS.