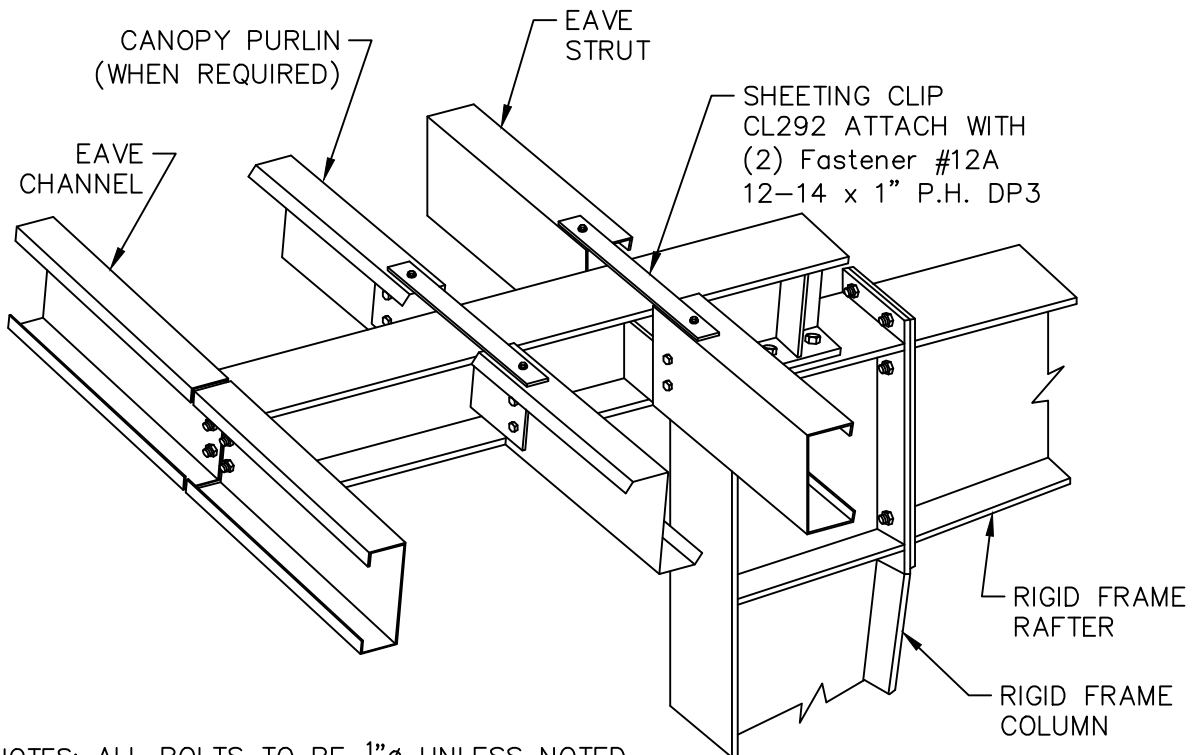
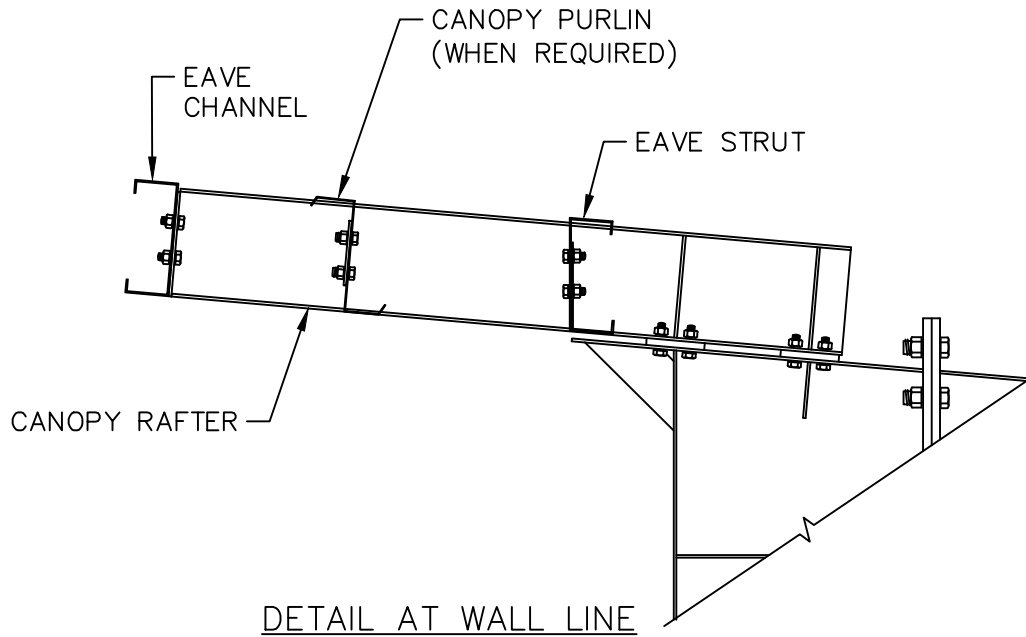


Flush Canopy - High Side Eave - Welded Clip Interior Column - By-Pass Girt

Page PF05047

Date Feb '11 Rev. 00

COLUMN DEPTH IS GREATER THAN OR EQUAL TO 1'-3"



NOTES: ALL BOLTS TO BE $\frac{1}{2}$ " ϕ UNLESS NOTED.
FOR REQUIRED LENGTH REFER TO GRIP
TABLE ON CUSTOM ERECTION DRAWINGS.

CANOPY RAFTER CONNECTIONS AND STIFFENERS
DEPICTED WILL VARY PER DESIGN REQUIREMENTS.