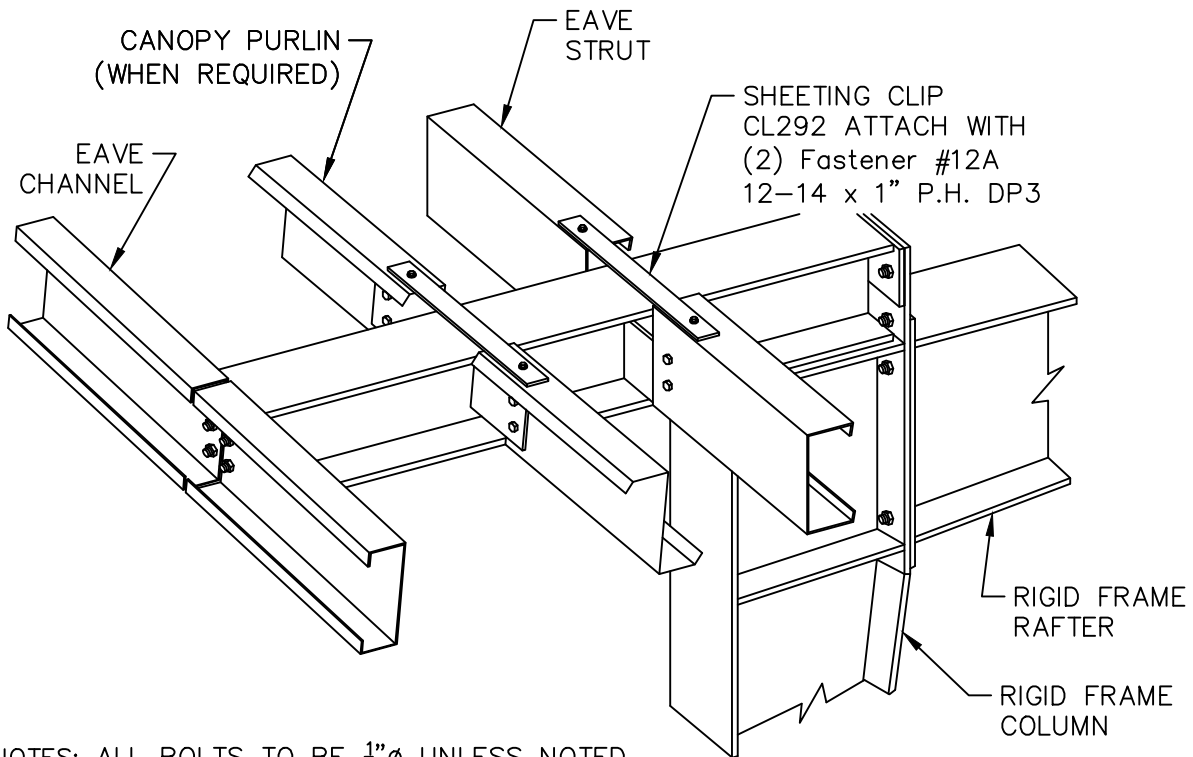
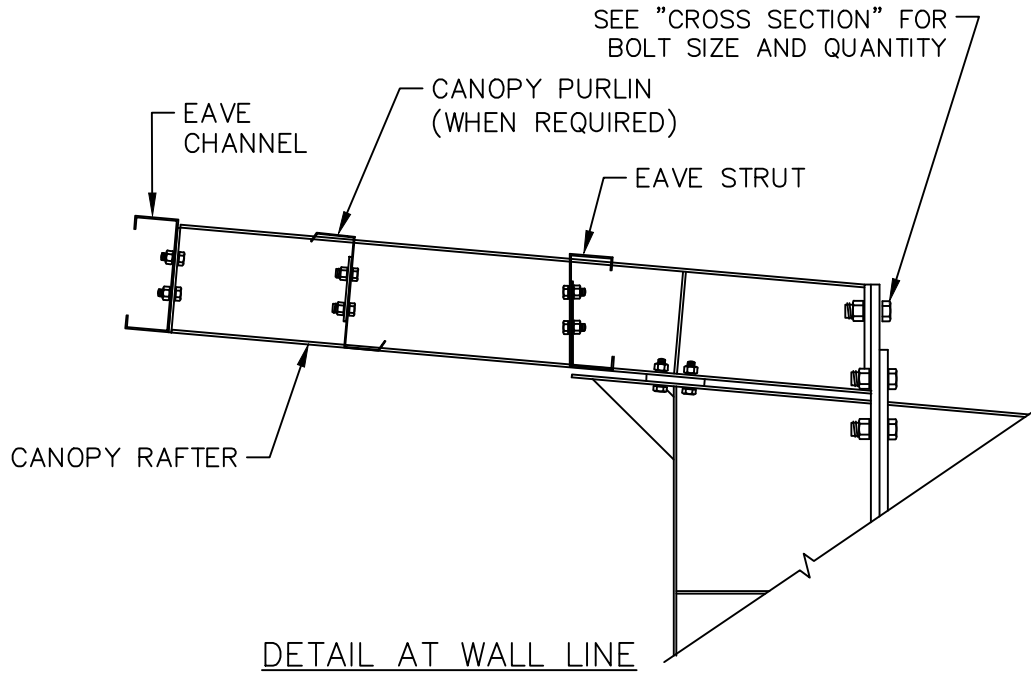


# Flush Canopy - High Side Eave - Welded Clip Interior Column - By-Pass Girt

Page PF05048

Date Feb '11 Rev. 00

COLUMN DEPTH IS LESS THAN 1'-3"



NOTES: ALL BOLTS TO BE  $\frac{1}{2}$ " $\phi$  UNLESS NOTED.  
FOR REQUIRED LENGTH REFER TO GRIP  
TABLE ON CUSTOM ERECTION DRAWINGS.

CANOPY RAFTER CONNECTIONS AND STIFFENERS  
DEPICTED WILL VARY PER DESIGN REQUIREMENTS.