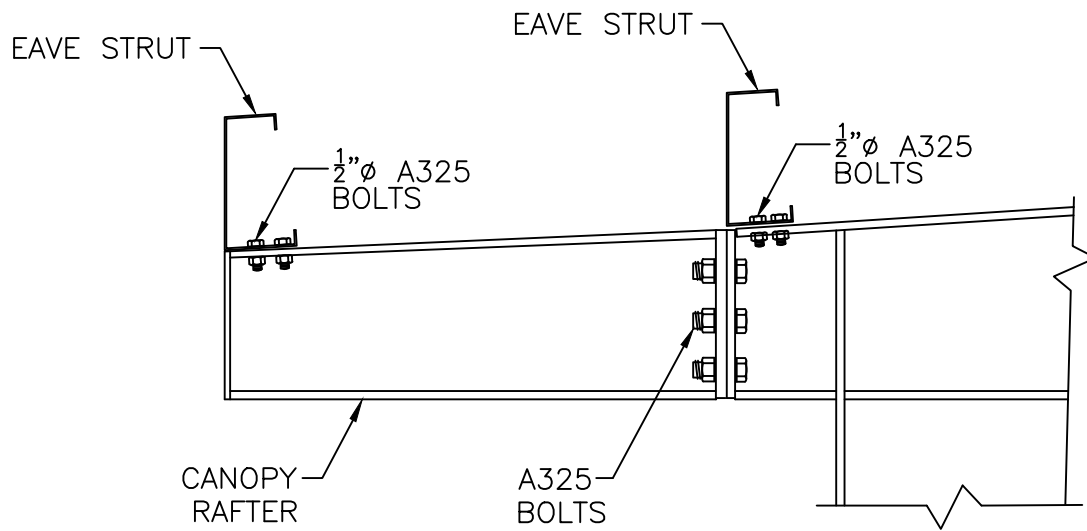


PRIMARY FRAME DETAIL
EAVELINE CANOPY - BY-PASS

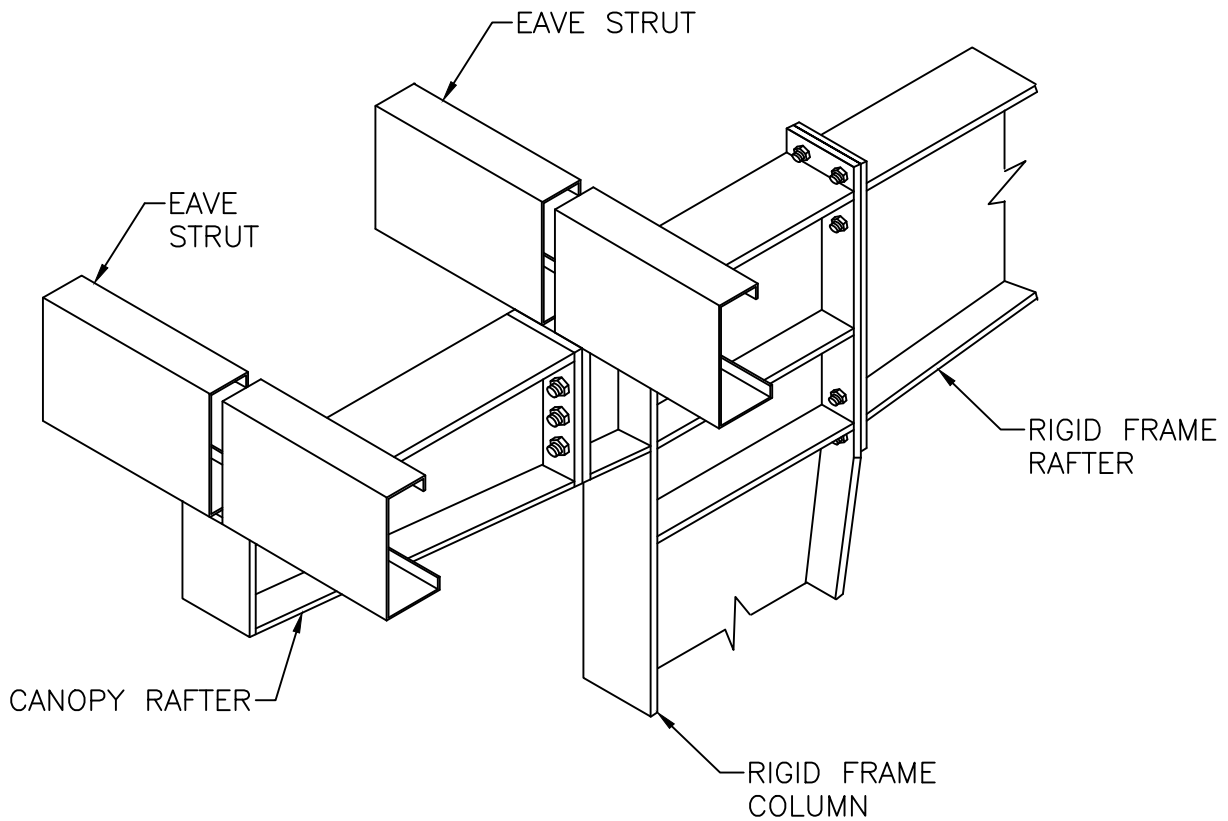
SHT. NO.
PF05101

DATE
Feb '11

REV.
01



DETAIL AT WALL LINE



NOTES: FRAME SHAPES MAY VARY.
SEE FRAME CROSS SECTIONS FOR ADDITIONAL FRAME INFORMATION.
SEE SIDEWALL ELEVATIONS FOR EAVE STRUTS MARKS.